

Directional valves → Supplementary products

5/2-way valve, Series ST

► Qn= 280 l/min ► pipe connection ► compressed air connection output: G 1/8 ► With spring return



00109065

Version	Spool valve not lockable
Sealing principle	metal/metal sealing
Working pressure min./max.	-0.95 bar / 10 bar
Ambient temperature min./max.	-15°C / +80°C
Medium temperature min./max.	-15°C / +80°C
Medium	Compressed air
Max. particle size	5 µm
Oil content of compressed air	5 mg/m ³ - 25 mg/m ³
Mounting screw	M4 with hexagon socket
mounting screw tightening torque	2.5 Nm
Materials:	
Housing	Stainless steel, hardened

Technical Remarks

- Notice: This product may only be operated with oiled compressed air.

	Actuating element	Compressed air connection			Qn	Actuating force Min.	Actuating torque Min.	Part No.
		Input	Output	Exhaust				
					[l/min]	[N]	[Nm]	
	Plunger	G 1/8	G 1/8	G 1/8	280	11	-	0820403001
	Roller	G 1/8	G 1/8	G 1/8	280	6.5	-	0820403002
	Roller lever, one-way trip	G 1/8	G 1/8	G 1/8	280	6.5	-	0820403003
	Push button	G 1/8	G 1/8	G 1/8	280	6.5	-	0820403004
	Lever	G 1/8	G 1/8	G 1/8	280	-	0.02	0820403005
	Roller with single-action lever	G 1/8	G 1/8	G 1/8	280	10	-	0820403016
	Roller with articulated lever	G 1/8	G 1/8	G 1/8	280	25	-	0820403017
	Plunger	G 1/8	G 1/8	G 1/8	280	5	-	0820403019
	panel installation	G 1/8	G 1/8	G 1/8	280	11	-	R422002213

Supplementary products

Part numbers marked in bold are available from the central warehouse in Germany, see the shopping basket for more detailed information Pneumatics catalog, online PDF, as of 2013-01-07, © Bosch Rexroth AG, subject to change

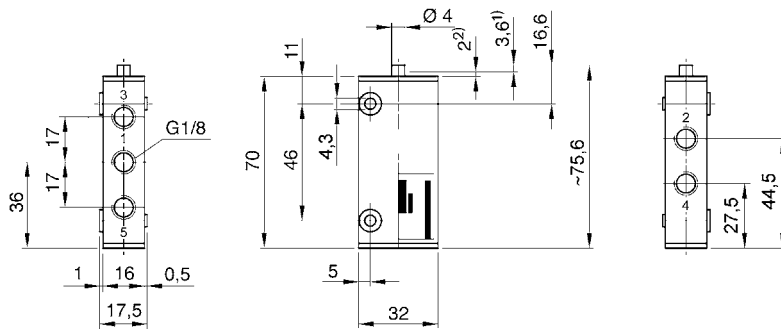
Directional valves → Supplementary products

5/2-way valve, Series ST

► Qn= 280 l/min ► pipe connection ► compressed air connection output: G 1/8 ► With spring return

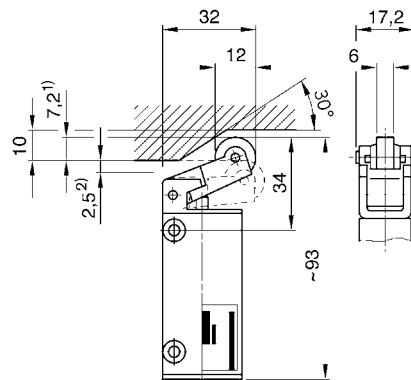
Part No.	Material: Actuating control	Weight	Fig.	Note
		[kg]		
0820403001	Stainless steel	0.22	Fig. 1	-
0820403002	Polyoxymethylene	0.23	Fig. 2	-
0820403003	Polyoxymethylene	0.23	Fig. 3	-
0820403004	Polyamide	0.23	Fig. 4	-
0820403005	Polyamide	0.22	Fig. 5	-
0820403016	Polyoxymethylene	0.34	Fig. 6	-
0820403017	Polyoxymethylene	0.34	Fig. 7	-
0820403019	Stainless steel	0.22	Fig. 8	-
R422002213	Polyoxymethylene	0.22	Fig. 9	1)

1) Please order control button separately.
Nominal flow Qn at 6 bar and $\Delta p = 1$ bar

Dimensions, Fig. 1, Basic valve

00108066

1) Actuating stroke 2) overstroke
connection via 2 through-holes in housing
Dimensions of basic valve apply to all types of actuation.

Dimensions, Fig. 2

00108067

1) Actuating stroke 2) overstroke
connection via 2 through-holes in housing

Supplementary products

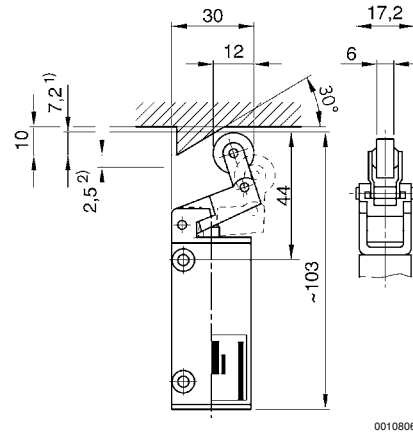
Part numbers marked in bold are available from the central warehouse in Germany, see the shopping basket for more detailed information
Pneumatics catalog, online PDF, as of 2013-01-07, © Bosch Rexroth AG, subject to change

Directional valves → Supplementary products

5/2-way valve, Series ST

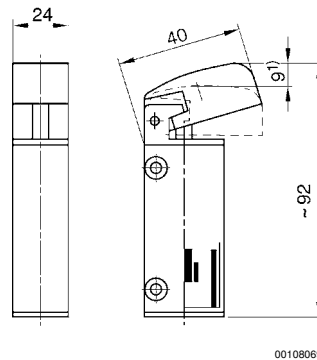
► Qn= 280 l/min ► pipe connection ► compressed air connection output: G 1/8 ► With spring return

Dimensions, Fig. 3



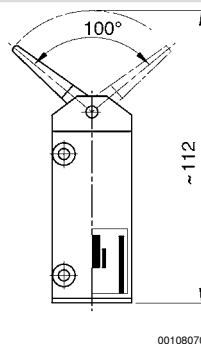
1) Actuating stroke 2) overstroke
connection via 2 through-holes in housing

Dimensions, Fig. 4



1) actuating stroke
Mounting via 2 through-holes in housing

Dimensions, Fig. 5



Mounting via 2 through-holes in housing

Supplementary products

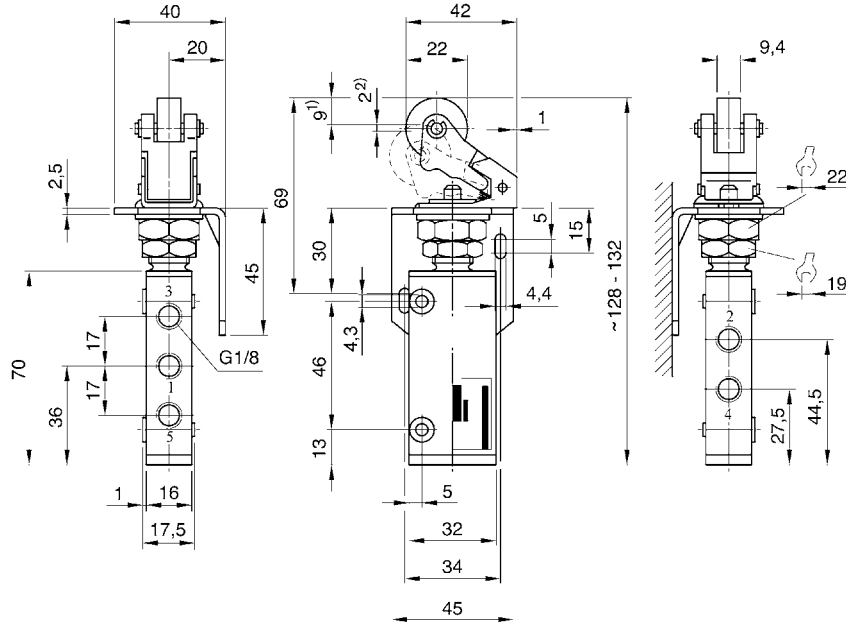
Part numbers marked in bold are available from the central warehouse in Germany, see the shopping basket for more detailed information Pneumatics catalog, online PDF, as of 2013-01-07, © Bosch Rexroth AG, subject to change

Directional valves → Supplementary products

5/2-way valve, Series ST

► Qn= 280 l/min ► pipe connection ► compressed air connection output: G 1/8 ► With spring return

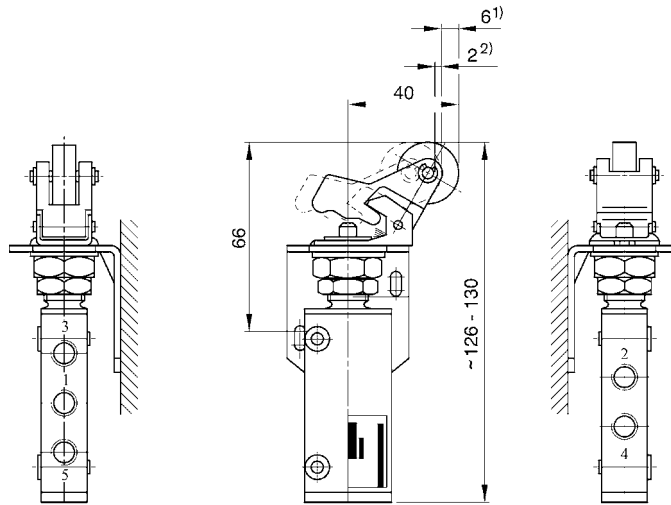
Dimensions, Fig. 6



00108072

1) actuating stroke 2) overstroke
Can be adjusted by 90°, thereby providing 4 different angles of approach.

Dimensions, Fig. 7



00108073

1) actuating stroke 2) overstroke
Can be adjusted by 90°, thereby providing 4 different angles of approach.

Supplementary products

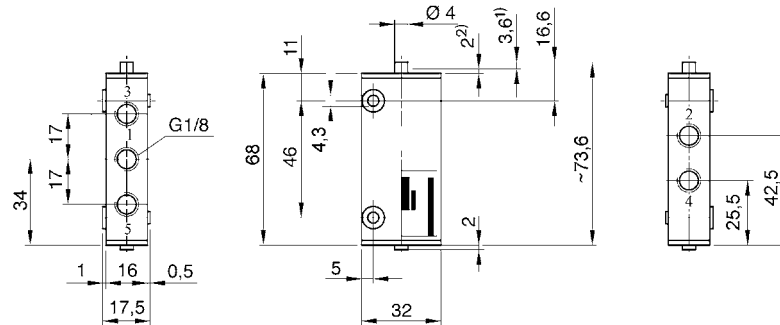
Part numbers marked in bold are available from the central warehouse in Germany, see the shopping basket for more detailed information
Pneumatics catalog, online PDF, as of 2013-01-07, © Bosch Rexroth AG, subject to change

Directional valves → Supplementary products

5/2-way valve, Series ST

► Qn= 280 l/min ► pipe connection ► compressed air connection output: G 1/8 ► With spring return

Dimensions, Fig. 8



00130355

1) actuating stroke 2) overstroke

connection via 2 through-holes in housing. If the plunger is displaced all the way to the housing cover, the actuating stroke changes from 3.6 to 5.6 mm.

Supplementary products

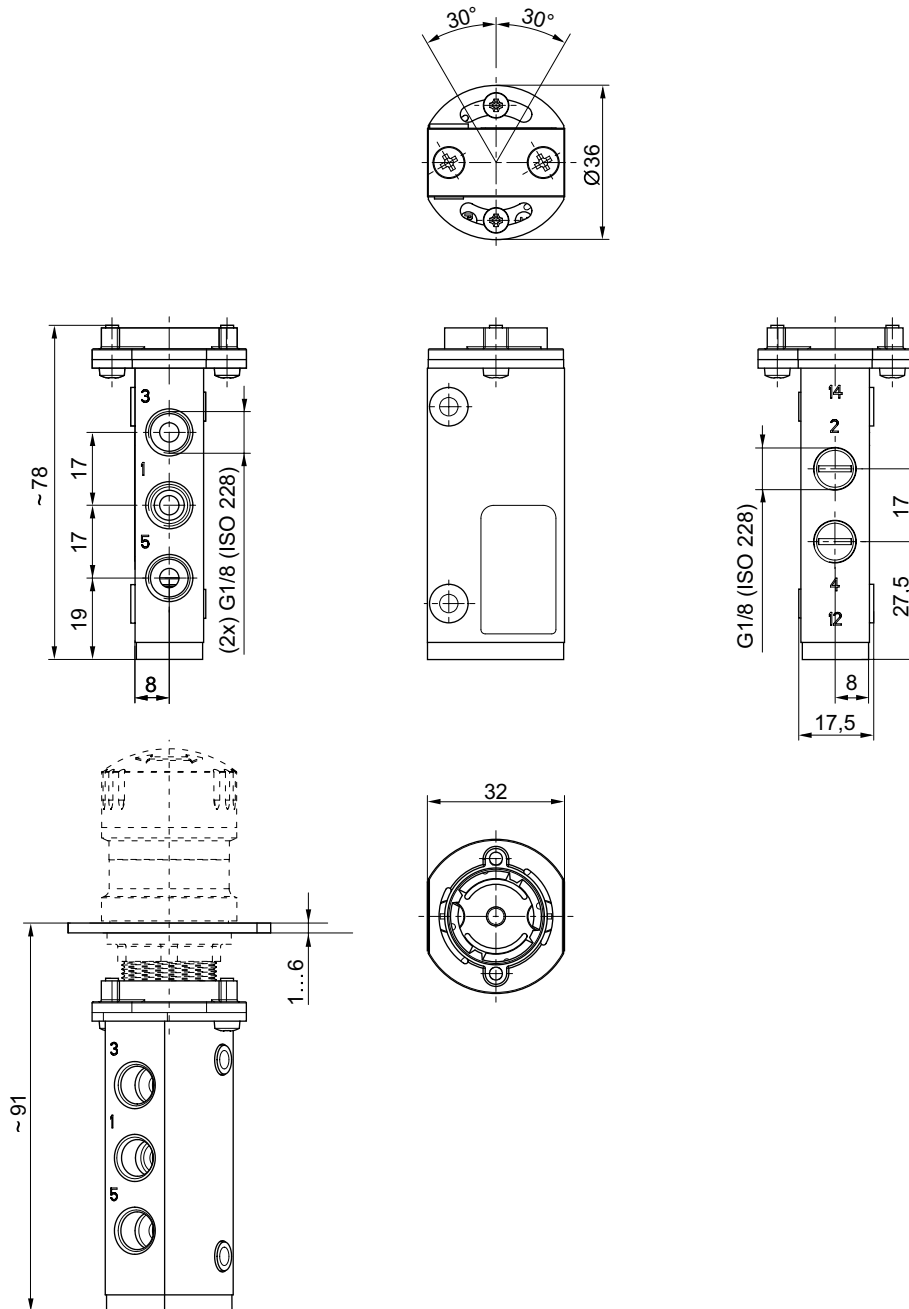
Part numbers marked in bold are available from the central warehouse in Germany, see the shopping basket for more detailed information Pneumatics catalog, online PDF, as of 2013-01-07, © Bosch Rexroth AG, subject to change

Directional valves → Supplementary products

5/2-way valve, Series ST

► Qn= 280 l/min ► pipe connection ► compressed air connection output: G 1/8 ► With spring return

Dimensions, Fig. 9



00136368

Supplementary products

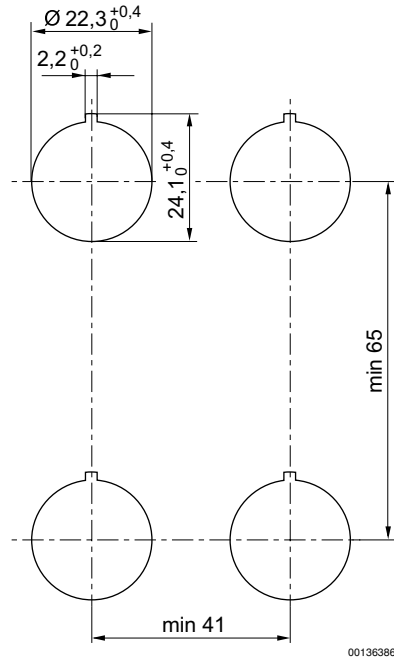
Part numbers marked in bold are available from the central warehouse in Germany, see the shopping basket for more detailed information
Pneumatics catalog, online PDF, as of 2013-01-07, © Bosch Rexroth AG, subject to change

Directional valves → Supplementary products

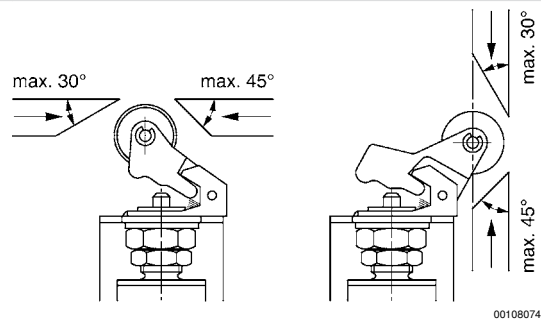
5/2-way valve, Series ST

► Qn= 280 l/min ► pipe connection ► compressed air connection output: G 1/8 ► With spring return

Dimensions, cut-out in the front plate



angle of approach for 0820403016 and 0820403017



Supplementary products

Part numbers marked in bold are available from the central warehouse in Germany, see the shopping basket for more detailed information
 Pneumatics catalog, online PDF, as of 2013-01-07, © Bosch Rexroth AG, subject to change