

Directional valves → Supplementary products

3/2-way valve, Series ST

► Qn= 280 l/min ► pipe connection ► compressed air connection output: G 1/8 ► With spring return



Version

Spool valve

Sealing principle

not lockable

Working pressure min./max.

metal/metal sealing

Ambient temperature min./max.

-0.95 bar / 10 bar

Medium temperature min./max.

-15°C / +80°C

Medium

-15°C / +80°C

Max. particle size

Compressed air

Oil content of compressed air

5 µm

5 mg/m³ - 25 mg/m³

Mounting screw

M4 with hexagon socket

mounting screw tightening torque

2.5 Nm

Materials:

Housing

Stainless steel, hardened

Technical Remarks

- Notice: This product may only be operated with oiled compressed air.

	Actuating element	Compressed air connection			Qn	Actuating force Min.	Actuating torque Min.	Part No.
		Input	Output	Exhaust				
					[l/min]	[N]	[Nm]	
	Plunger	G 1/8	G 1/8	G 1/8	280	11	-	0820402001
	Roller	G 1/8	G 1/8	G 1/8	280	6.5	-	0820402002
	Roller lever, one-way trip	G 1/8	G 1/8	G 1/8	280	6.5	-	0820402003
	Push button	G 1/8	G 1/8	G 1/8	280	6.5	-	0820402004
	Lever	G 1/8	G 1/8	G 1/8	280	-	0.02	0820402005
	Roller with single-action lever	G 1/8	G 1/8	G 1/8	280	10	-	0820402016
	Roller with articulated lever	G 1/8	G 1/8	G 1/8	280	25	-	0820402017
	Plunger	G 1/8	G 1/8	G 1/8	280	5	-	0820402019

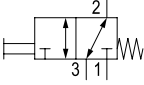
Supplementary products

Part numbers marked in bold are available from the central warehouse in Germany, see the shopping basket for more detailed information Pneumatics catalog, online PDF, as of 2013-01-07, © Bosch Rexroth AG, subject to change

Directional valves → Supplementary products

3/2-way valve, Series ST

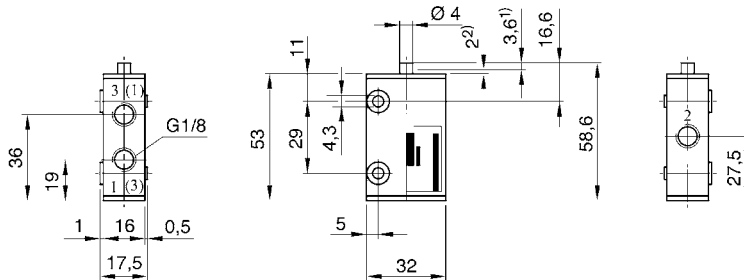
► Qn= 280 l/min ► pipe connection ► compressed air connection output: G 1/8 ► With spring return

	Actuating element	Compressed air connection			Qn [l/min]	Actuating force Min. [N]	Actuating torque Min. [Nm]	Part No.
		Input	Output	Exhaust				
	panel installation	G 1/8	G 1/8	G 1/8	280	11	-	R422002211

Part No.	Material: Actuating control	Weight [kg]	Fig.	Note
0820402001	Stainless steel	0.17	Fig. 1	-
0820402002	Polyoxymethylene	0.18	Fig. 2	-
0820402003	Polyoxymethylene	0.18	Fig. 3	-
0820402004	Polyamide	0.18	Fig. 4	-
0820402005	Polyamide	0.17	Fig. 5	-
0820402016	Polyoxymethylene	0.29	Fig. 6	-
0820402017	Polyoxymethylene	0.29	Fig. 7	-
0820402019	Stainless steel	0.17	Fig. 8	1)
R422002211	Polyoxymethylene	0.18	Fig. 9	2)

1) horizontal installation position

2) Please order control button separately.

Nominal flow Qn at 6 bar and $\Delta p = 1$ bar**Dimensions, Fig. 1, Basic valve**

00108045

1) Actuating stroke 2) overstroke

connection via 2 through-holes in housing

Dimensions of basic valve apply to all types of actuation.

Supplementary products

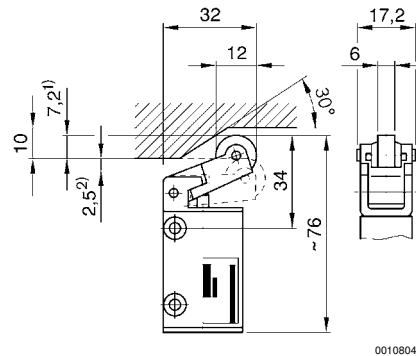
Part numbers marked in bold are available from the central warehouse in Germany, see the shopping basket for more detailed information Pneumatics catalog, online PDF, as of 2013-01-07, © Bosch Rexroth AG, subject to change

Directional valves → Supplementary products

3/2-way valve, Series ST

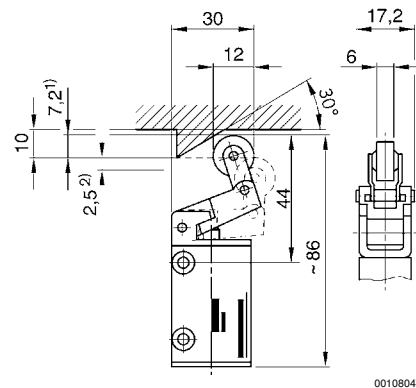
► Qn= 280 l/min ► pipe connection ► compressed air connection output: G 1/8 ► With spring return

Dimensions, Fig. 2



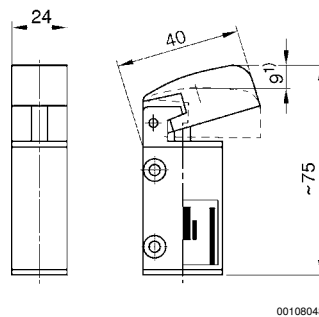
1) Actuating stroke 2) overstroke
connection via 2 through-holes in housing

Dimensions, Fig. 3



1) actuating stroke
2) overstroke

Dimensions, Fig. 4



1) actuating stroke
connection via 2 through-holes in housing

Supplementary products

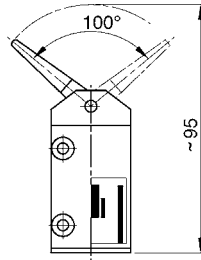
Part numbers marked in bold are available from the central warehouse in Germany, see the shopping basket for more detailed information
Pneumatics catalog, online PDF, as of 2013-01-07, © Bosch Rexroth AG, subject to change

Directional valves → Supplementary products

3/2-way valve, Series ST

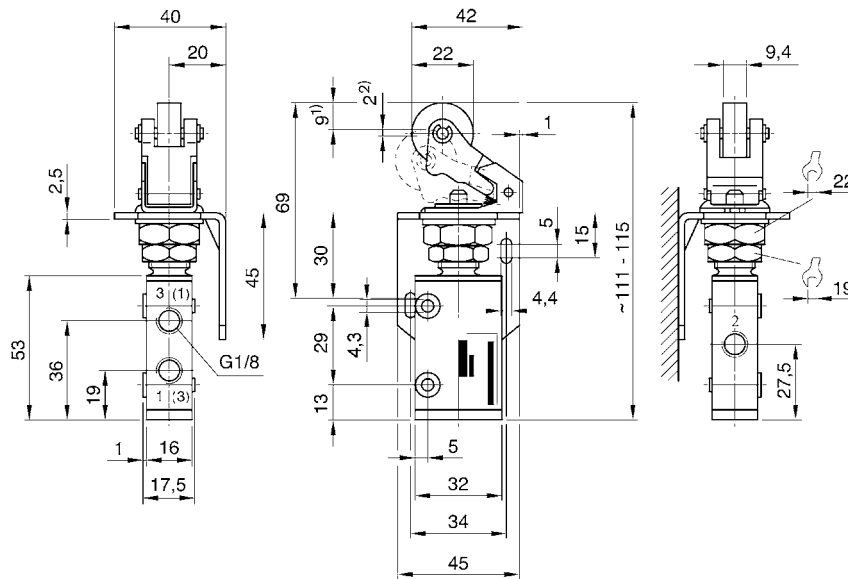
► Qn= 280 l/min ► pipe connection ► compressed air connection output: G 1/8 ► With spring return

Dimensions, Fig. 5



00108049

Dimensions, Fig. 6



00108051

1) actuating stroke 2) overstroke

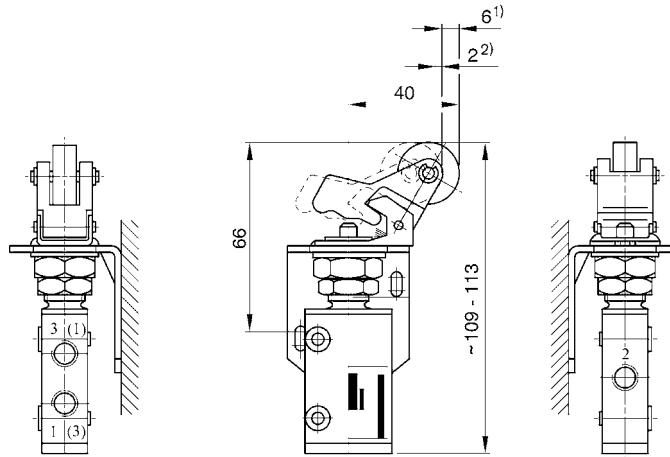
Can be adjusted by 90°, thereby providing 4 different angles of approach.

Directional valves → Supplementary products

3/2-way valve, Series ST

► Qn= 280 l/min ► pipe connection ► compressed air connection output: G 1/8 ► With spring return

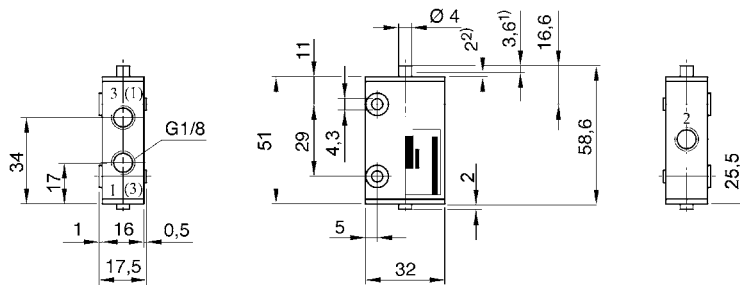
Dimensions, Fig. 7



00108052

1) Actuating stroke 2) Overstroke
Can be adjusted by 90°, thereby providing 4 different angles of approach

Dimensions, Fig. 8



00133529

1) actuating stroke
2) overstroke

Supplementary products

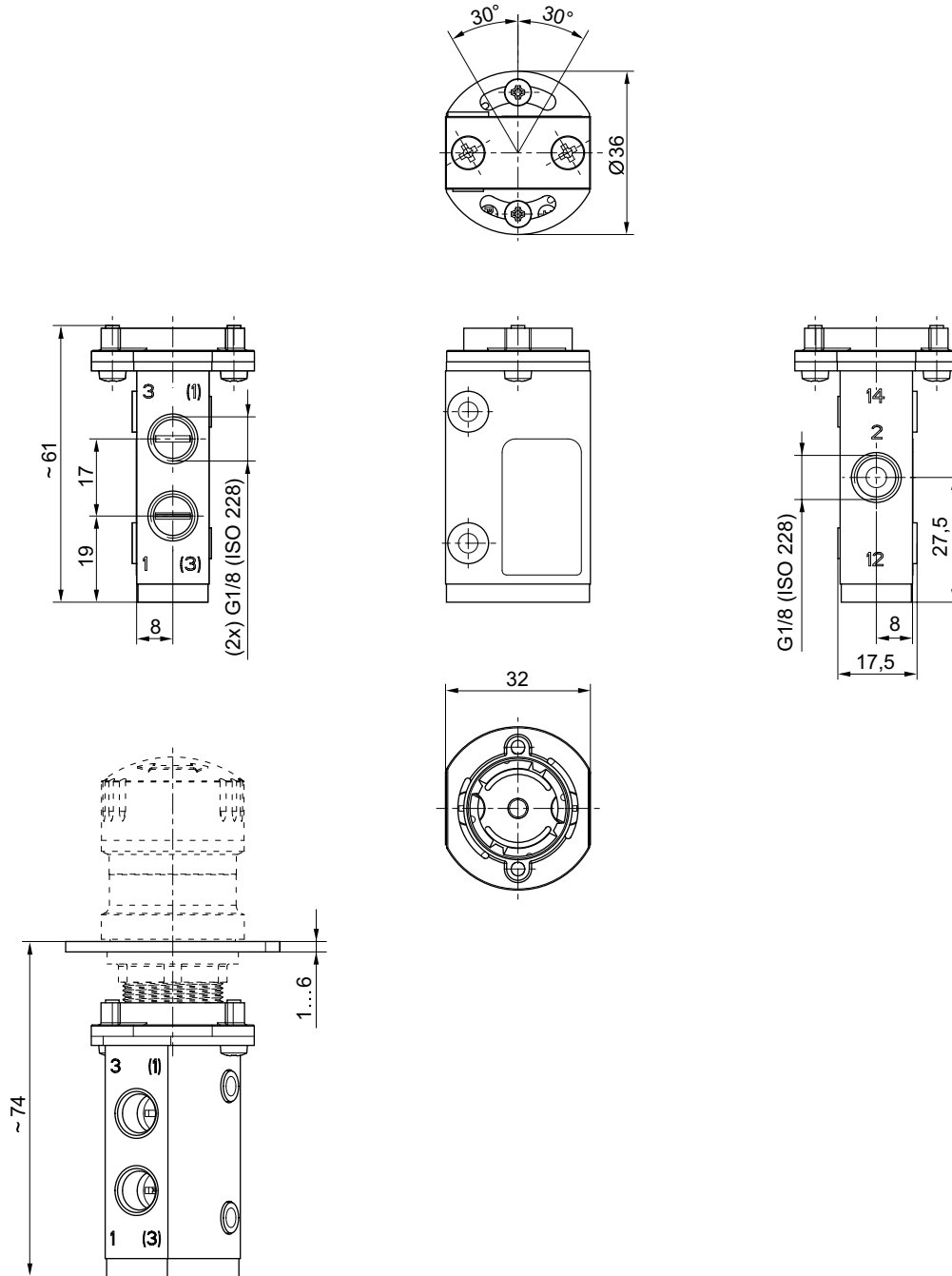
Part numbers marked in bold are available from the central warehouse in Germany, see the shopping basket for more detailed information Pneumatics catalog, online PDF, as of 2013-01-07, © Bosch Rexroth AG, subject to change

Directional valves → Supplementary products

3/2-way valve, Series ST

► Qn= 280 l/min ► pipe connection ► compressed air connection output: G 1/8 ► With spring return

Dimensions, Fig. 9



00136366

Supplementary products

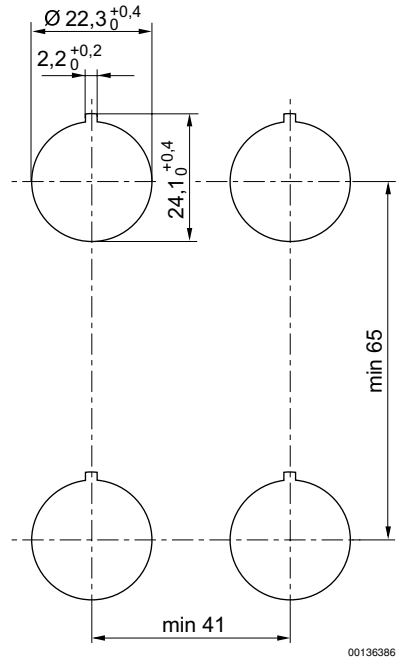
Part numbers marked in bold are available from the central warehouse in Germany, see the shopping basket for more detailed information
Pneumatics catalog, online PDF, as of 2013-01-07, © Bosch Rexroth AG, subject to change

Directional valves → Supplementary products

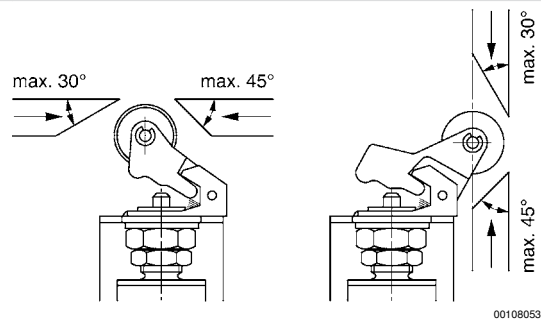
3/2-way valve, Series ST

► $Q_n = 280$ l/min ► pipe connection ► compressed air connection output: G 1/8 ► With spring return

Dimensions, cut-out in the front plate



angle of approach for 0820402016 and 0820402017



Supplementary products

Part numbers marked in bold are available from the central warehouse in Germany, see the shopping basket for more detailed information
Pneumatics catalog, online PDF, as of 2013-01-07, © Bosch Rexroth AG, subject to change