



DOUBLE-ACTING PNEUMATIC CYLINDER

- CMO double-acting pneumatic actuators are designed to work at a pressure between 6 and 10 kg/cm².
- 10 Kg/cm² is the maximum admissible air pressure. For air pressures below 6 Kg/cm² please consult manufacturer.
- For ND50 to ND200 valves, the cylinder's jacket and covers are made of aluminium, the rod of AISI304, the piston of rubber-coated steel and the O-ring seals are made of nitrile.
- For valves larger than ND200 the covers are made of nodular cast iron or carbon steel.
- On request, we can also supply the actuator made entirely of stainless steel, especially for installation in corrosive atmospheres.
- B = Max. width of the valve (without actuator)
 D = Max. height of the valve (without actuator)
- Available: ND50 to ND1200, other ND on request.

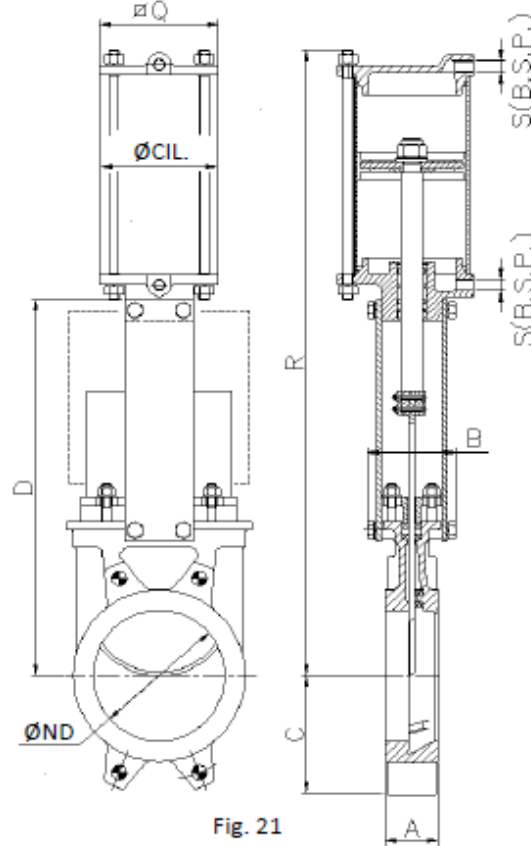


Fig. 21

ND	ΔP (Kg/cm ²)	DRAW (Nw)	A	B	C	D	Ø CIL.	Ø ROD	Ø Q	S (B.S.P.)	R	Weight (kg.)
50	10	815	40	91	61	241	80	20	96	1/4"	416	7
65	10	1375	40	91	68	268	80	20	96	1/4"	456	8
80	10	2083	50	91	91	294	80	20	96	1/4"	498	9
100	10	3252	50	91	104	334	100	20	115	1/4"	562	12
125	10	5080	50	101	118	367	125	25	138	1/4"	636	18
150	10	5134	60	101	130	419	125	25	138	1/4"	717	22
200	8	9138	60	118	159	525	160	30	175	1/4"	874	37
250	6	10227	70	118	196	626	200	30	218	3/8"	1036	58
300	6	14748	70	118	230	726	200	30	218	3/8"	1182	72
350	5	16064	96	290	254	797	250	40	270	3/8"	1381	130
400	5	21042	100	290	287	903	250	40	270	3/8"	1530	155
450	3	20043	106	290	304	989	300	45	382	1/2"	1676	225
500	3	24883	110	290	340	1101	300	45	382	1/2"	1839	257
600	3	36081	110	290	398	1307	300	45	382	1/2"	2146	340
700	2	39945	110	320	453	1506	350	45	426	1/2"	2481	556
800	2	43493	110	320	503	1720	350	45	426	1/2"	2798	679
900	2	55024	110	320	583	1953	400	50	508	1/2"	3167	840
1000	*	*	110	320	613	2137	400	50	508	1/2"	3451	1053
1100	*	*	150	340	670	2375	400	50	508	1/2"	3792	1210
1200	*	*	150	340	728	2616	400	50	508	1/2"	4135	1366

Rabobank: 135956153 KvK Middelburg nr. 22065677 BTW: NL818617068B01
 IBAN nr. NL04 RABO 0135 9561 53: SWIFT nr. RABO NL2U
 Op al onze offertes, op alle opdrachten aan ons en op alle met ons gesloten overeenkomsten zijn toepasselijk de METAALUNIEVOORWAARDEN, gedeponeerd ter griffie van de Rechtbank te Rotterdam, zoals deze luiden volgens de laatstelijk aldaar neergelegde tekst. De leveringsvoorwaarden worden u op verzoek toegezonden.