



KNIFE-GATE VALVES

A SERIES

HANDWHEEL with Rising Stem

- B = Max. width of the valve (without actuator)
D = Max. height of the valve (without actuator)
- Options:
 - Locking devices
 - Extensions: stand, pipe, plates...
 - ND higher than those give in the table
- Actuator including:
 - Handwheel
 - Stem
 - Nut
 - Stem protection hood
- Available: ND50 to ND 1200, other ND on request.
- From DN600 the actuator is with gears.

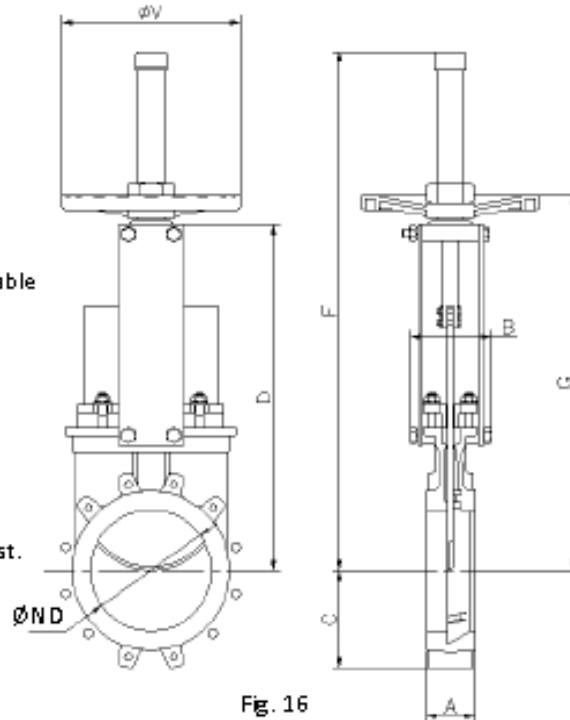


Fig. 16

ND	ΔP (Kg/cm ²)	DRAW/ (Nuv)	TORQ. (Nm)	A	B	C	D	F	G	ØV	Weight (kg.)
50	10	815	1.86	40	91	61	241	410	280	225	7
65	10	1375	3.14	40	91	68	268	437	308	225	8
80	10	2083	4.76	50	91	91	294	463	333	225	9
100	10	3252	7.43	50	91	104	334	503	373	225	11
125	10	5080	11.6	50	101	118	367	586	407	225	13
150	10	5134	11.7	60	101	130	419	638	458	225	17
200	8	9138	26.1	60	118	159	525	816	578	325	28
250	6	10227	29.2	70	118	196	626	1017	679	325	40
300	6	14748	42.1	70	118	230	726	1117	779	380	56
350	5	16064	62.3	96	290	254	797	1337	906	450	94
400	5	21042	81.6	100	290	287	903	1443	1012	450	116
450	3	20043	77.7	106	290	304	989	1629	1098	450	162
500	3	24883	96.5	110	290	340	1101	1741	1210	450	191
600	3	36081	139.9	110	290	398	1307	2047	1416	450	264
700	2	39945	180.1	110	320	453	1506	--	--	--	441
800	2	43493	237.8	110	320	503	1720	--	--	--	568
900	2	55024	300.9	110	320	583	1953	--	--	--	736
1000	2	68580	374.9	110	320	613	2137	--	--	--	921
1200	2	99025	642.5	150	340	728	2616	--	--	--	1350