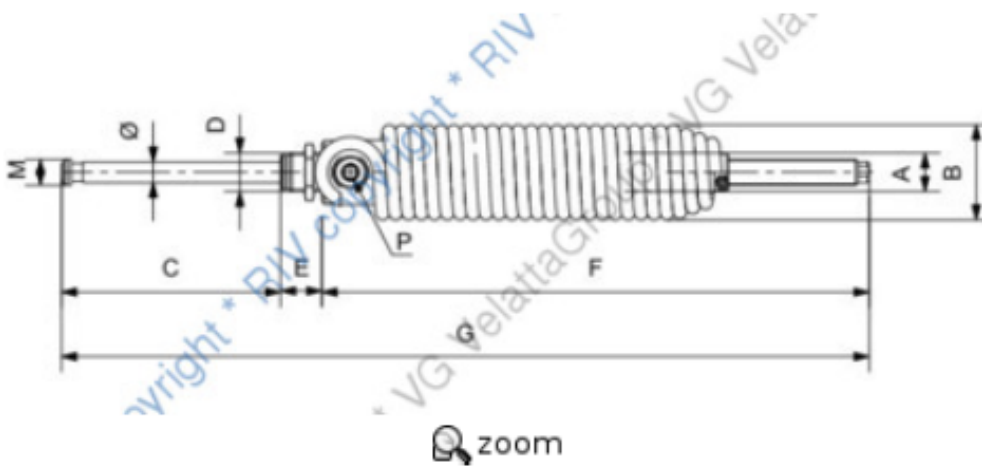




Tech drawings and tables



DN	Code	Ø	F	B	C	D	E	G	M	P	KG	P/box
4"	050167000016	16	431	74	122	M30x2	32	585	20	1/4"	6,582	1
5"	050167000018	16	431	74	150	M30x2	32	613	20	1/4"	6,654	1
6"	050167000019	16	431	74	180	M30x2	32	643	20	1/4"	6,680	1
8"	050167000020	16	394	72	246	M35x2	32	665	23	1/4"	6,932	1