



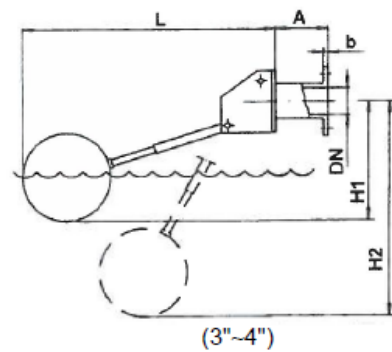
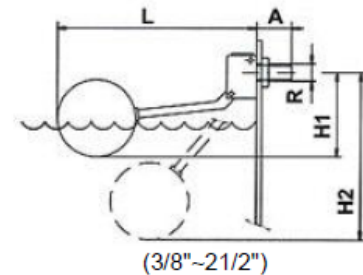
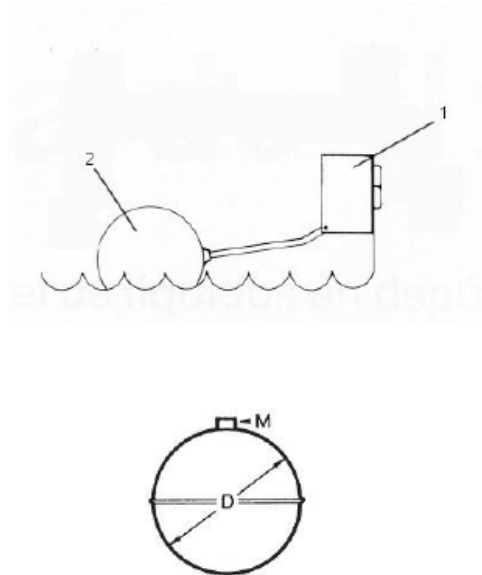
## ARTICULO: 2856 / 2852 Válvula de Flotador. Floating Valve.

### Características

1. Válvula de flotador.
2. Construcción en Acero Inoxidable AISI 316.
3. Conexión: Rosca Gas / Brida DIN.
4. Paso total.
5. Cierre de silicona.
6. Presión de trabajo máxima 10 bar.
7. Temperatura máx. de trabajo 150 °C.

### Features

1. Floating Valve.
2. Made of Stainless Steel AISI 316.
3. Connection: Gas Thread / DIN Flange.
4. Full Port.
5. Silicone sealing.
6. Max. Working pressure 10 bar.
7. Max. Working temperature 150 °C.



Nº	Denominación/Name	Material	Acabado Superficial/Surface Treatment
1	Válvula / Valve Art. 2856	Acero Inox. 316 / S.S. 316	Pulido / Polished
2	Boia / Buoy Art. 2852	Acero Inox. 316 / S.S. 316	Pulido / Polished



## DIMENSIONES GENERALES / GENERAL DIMENSIONS

Ref	PN	Dimensiones/Dimensions (mm)		Peso/Weight (Kg)
		Ø D	M	
2852 090	10	90	M6	0.12
2852 110	10	110	M6	0.25
2852 160	10	160	M8	0.50
2852 200	10	200	M12	0.75
2852 300	10	300	M12	2.78
2852 400	10	400	M12	4.51

Ref	Medida/ Size (R)	DN	PN	Dimensiones/Dimensions (mm)				Ø Boya / Ø Buoy	Peso/ Weight (Kg)
				A	L	H1	H2		
2856 03 + 2852 090	3/8"	10	10	32	300	83	235	90	0.35
2856 04 + 2852 110	1/2"	15	10	35	410	127	375	110	0.55
2856 05 + 2852 160	3/4"	20	10	42	500	155	436	160	1.00
2856 06 + 2852 160	1"	25	10	45	580	174	521	160	1.05
2856 07 + 2852 160	1 1/4"	32	10	52	580	164	520	160	1.25
2856 08 + 2852 200	1 1/2"	40	10	60	620	253	651	200	3.45
2856 09 + 2852 200	2"	50	10	70	720	255	736	200	3.75
2856 10 + 2852 200	2 1/2"	65	10	80	720	277	737	200	4.40
2856 11 * + 2852 300	3"	80	10	170	1447	310	1248	300	22.58
2856 12 * + 2852 400	4"	100	10	170	1550	520	1337	400	25.13



H1= Válvula en posición cerrada / *Close position valve.*

H2= Válvula en posición abierta / *Open position valve.*

\* DN80 y DN100 con conexión bridada según PN10/16 DIN2576

\* *DN80 and DN100 with flanged end according to PN10/16 DIN2576*

### CAUDAL (l / h) // FLOW RATE (l / h)

Ref	PRESION (BAR) / PRESSURE (BAR)						
	1	2	3	4	6	8	10
2856 03	1.132	1.669	1.904	2.169	2.656	2.825	3.082
2856 04	2.829	3.998	4.895	5.657	6.790	7.978	8.938
2856 05	4.838	6.842	8.370	9.677	11.805	13.993	15.289
2856 06	6.934	9.919	12.147	14.068	17.167	19.654	21.945
2856 07	10.176	15.438	19.438	23.154	28.908	33.594	38.168
2856 08	15.566	21.948	26.928	31.104	37.635	43.657	51.516
2856 09	23.685	33.863	40.977	47.372	57.791	67.532	75.500
2856 10	24.869	35.556	43.025	49.740	60.680	70.908	79.275
2856 11	55.868	79.013	96.783	111.756	136.873	158.047	173.703
2856 12	92.231	130.441	159.777	184.495	225.959	280.915	291.714