

# Technical Data

Pump Name

DW VOX M 150 A

Customer	Date	2024-03-22	Company
Contact	Item no.	1.1	Issued by
Phone	Project		Phone
E-mail	Project ID		E-mail

## Requested data

1	Pump type		SUBMERSIBLE SEWAGE PUMPS	Fluid		Water
2	Number of pumps / Reserve		1 / 0	Liquid temperature	°C	20
3	Flow	m³/h		Kin. viscosity	St	0.01005
4	Head	m		Vapour pressure	kPa	2.34
5	Geodetic head	m		PH value		
6	Inlet pressure (pin)	kPa	0	Density	kg/m³	998.3
7	Available system NPSH			Solids	Weight %	0
8	Ambient temperature	°C	20			

## Pump

9	Pump Name		DW VOX M 150 A	Frequency	Hz	50	
10	Design		SUBMERSIBLE SEWAGE PUMPS	Installation type		AUTOMATIC	
11	Manufacturer		EBARA	Impeller Diameter	Max.	mm	95
12	Speed	1/min	2800		Designed	mm	95
13	No. of Stage		1		Min.	mm	95
14	Connection	Suction side	UNI ISO 228	Flow	Operating	m³/h	
15	Connection	Discharge side	UNI ISO 228		Max-	m³/h	36
16	Max Working Pressure	kPa			Min-	m³/h	6
17	Shut-off head	kPa	111.69	Head	Operating	m	
18	Total weight	kg	See the table of "Dimensions".		- (Qmax.)	m	2.1
19	Shaft power	kW			- (Qmin.)	m	10.2
20				Max. Shaft Power at max. impeller	kW		
21	Required pump NPSH	m		Efficiency	%		

## Materials

22	Impeller		AISI 304			
23	Casing		AISI 304			
24	Shaft		AISI 303 (Wet extension)			
25						
26						
27						

## Motor

28	Manufacturer		EPE Standard	Insulation class		F
29	Type		DW VOX M 150_230_Single Phase	Phases		1~
30	Specific design		Submersible dry type / 50 Hz / Pole pairs 1	Frame size		
31	Rated power	kW	1.1	Weight	kg	
32	Number of poles		2	Electric voltage	V	230
33	Speed	1/min	2800	Electric current	A	7.3
34	Degree of protection		IP X8			
35						

## Remarks

# Performance Curve

Pump Name

DW VOX M 150 A

Customer	Date 2024-03-22	Company
Contact	Item no.	Issued by
Phone	Project	Phone
E-mail	Project ID	E-mail

**Requested data**

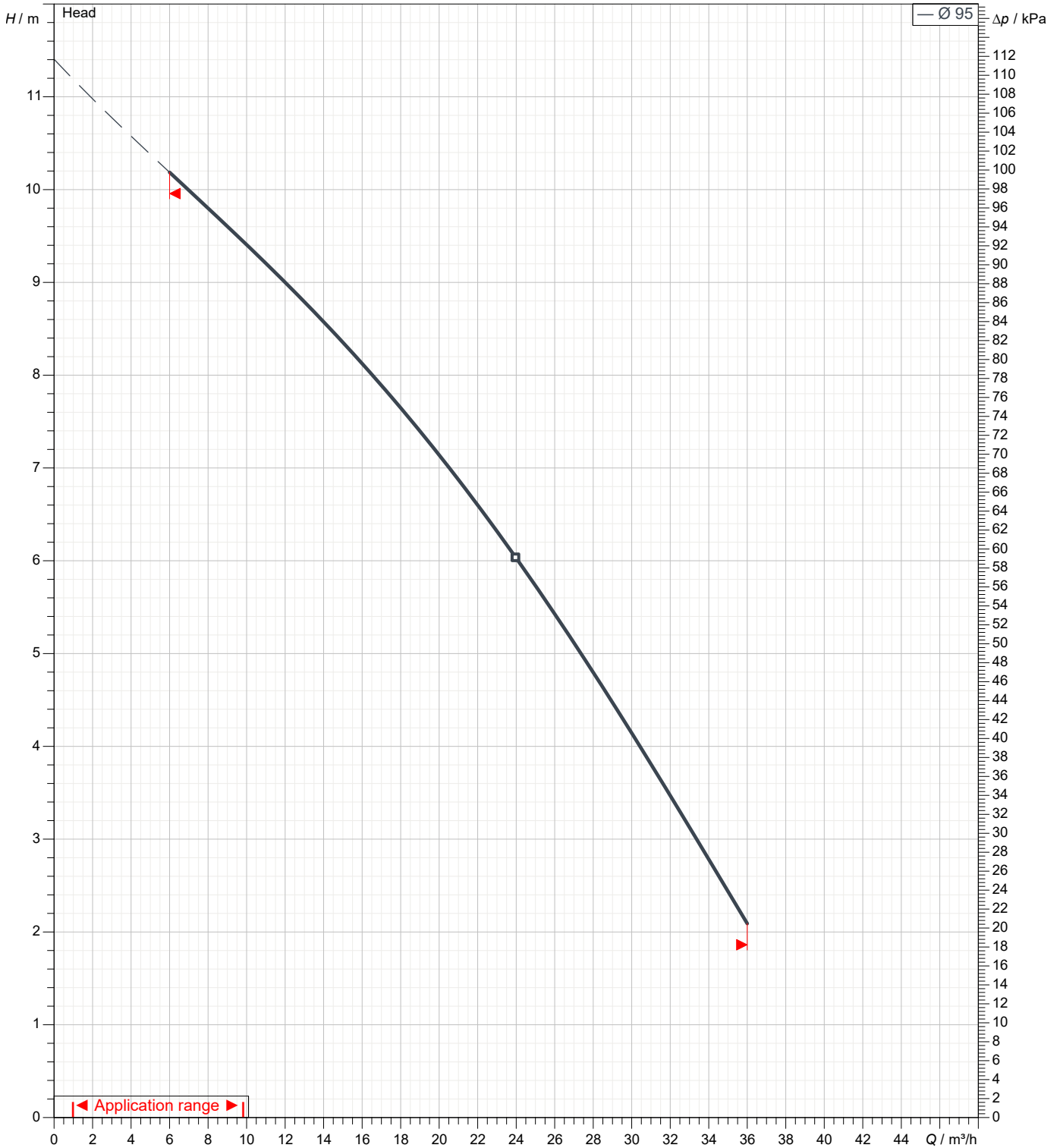
1	Flow	m³/h	
2	Head	m	
3	Geodetic head	m	

**Pump**

Operating flow	m³/h	Frequency	Hz	50
Operating head	m	Number of poles	2	
Impeller diameter designed	mm	95	Speed	1/min 2800

Test standard: ISO 9906:2012 - Grade3B

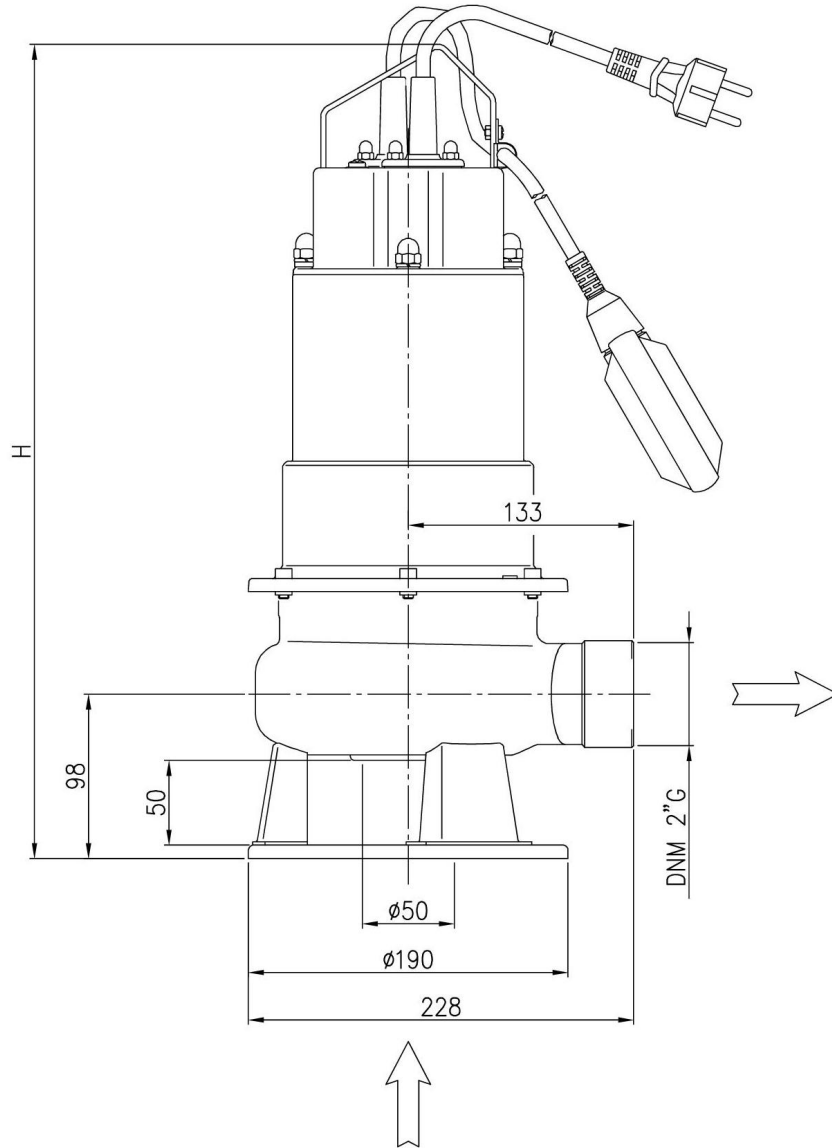
Water; 20°C; 998.3kg/m³; 0.01005St



# Dimensions

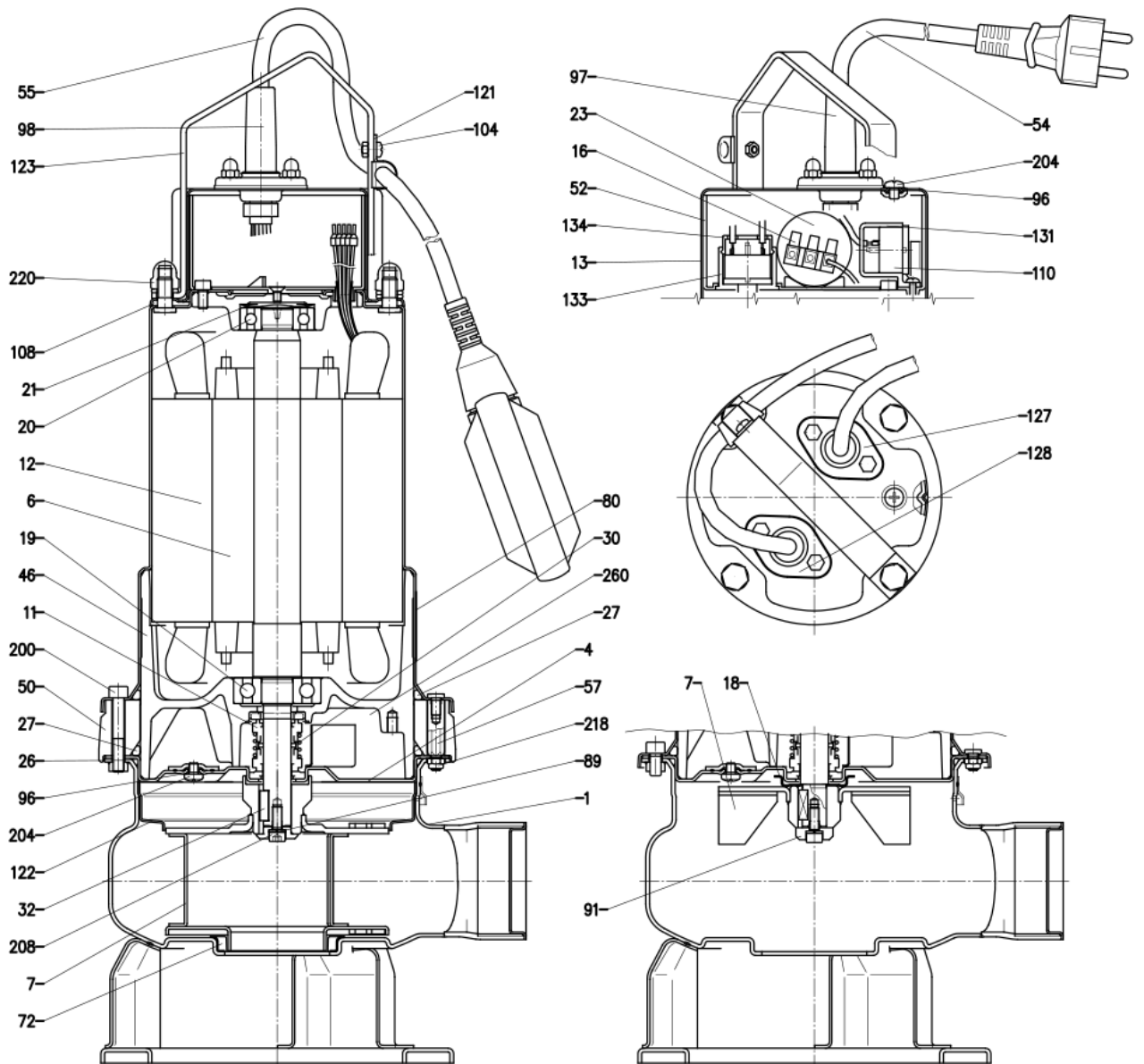
Pump Name DW VOX M 150 A

Customer	Date 2024-03-22	Company
Contact	Item no.	Issued by
Phone	Project	Phone
E-mail	Project ID	E-mail

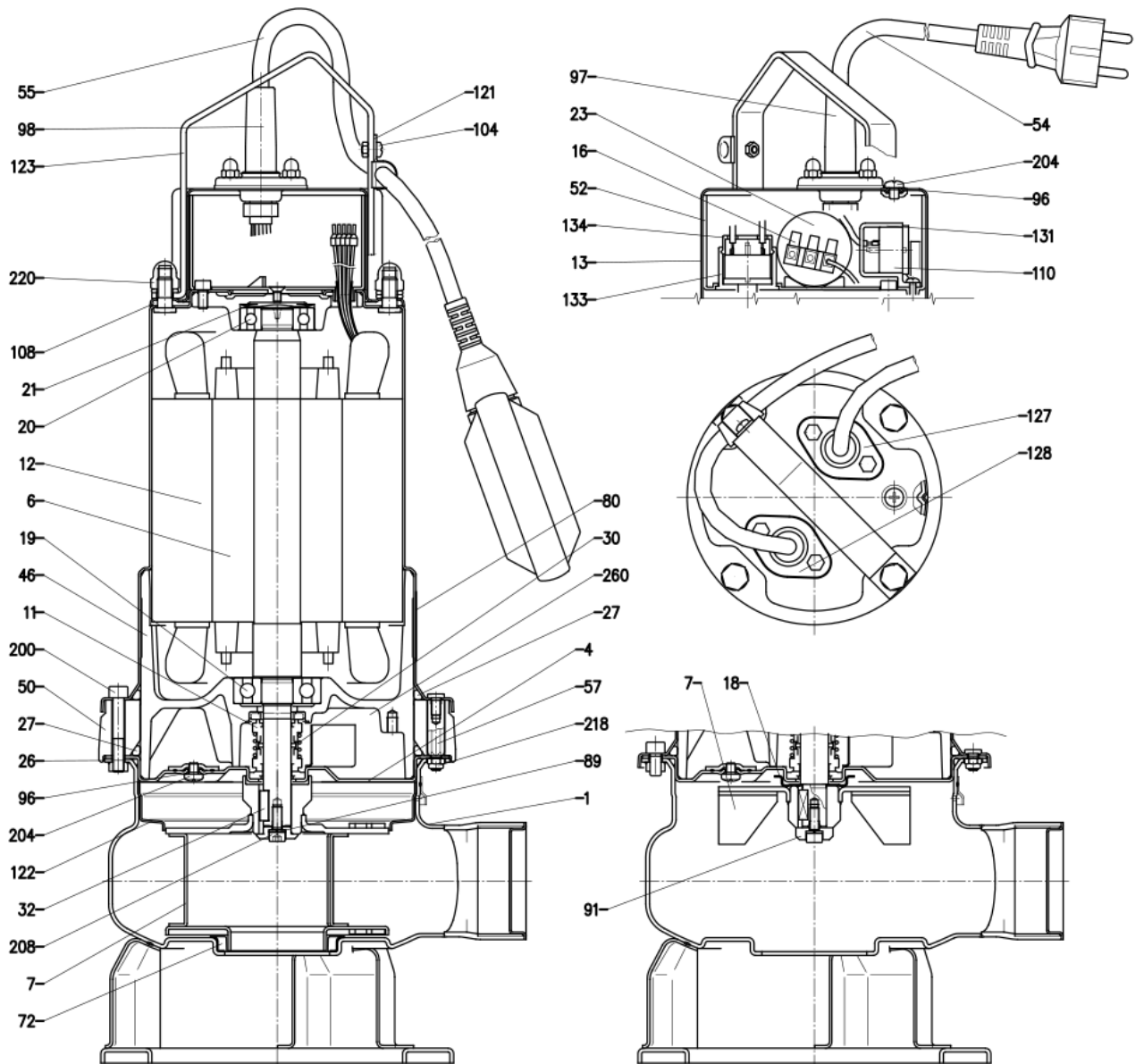


Dimensions in mm								
1	H	516						
2	Weight PUMP	19 kg						
3								
4								
5								
6								
7								
8								
9								
10								
11								
12								
13								
14								
15								

Customer	Date 2024-03-22	Company
Contact	Item no.	Issued by
Phone	Project	Phone
E-mail	Project ID	E-mail



Customer	Date 2024-03-22	Company
Contact	Item no.	Issued by
Phone	Project	Phone
E-mail	Project ID	E-mail

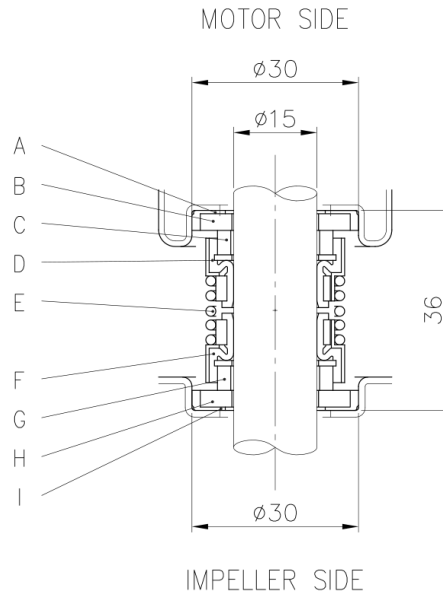


(3/3)

# Construction

Pump Name DW VOX M 150 A

Customer	Date 2024-03-22	Company
Contact	Item no.	Issued by
Phone	Project	Phone
E-mail	Project ID	E-mail



REF	PART NAME	MATERIAL
A	Rubber cup	NBR
B	Seat	Ceramic
C	Seal face	Carbon
D	Bellow	NBR
E	Spring	AISI 304
F	Bellow	NBR
G	Seal face	Silicon carbide
H	Seat	Silicon carbide
I	Rubber cup	NBR