

Technical Data

Pump Name

RIGHT 75 M

Customer	Date	2024-03-22	Company
Contact	Item no.	1.1	Issued by
Phone	Project		Phone
E-mail	Project ID		E-mail

Requested data

1	Pump type		SUBMERSIBLE SEWAGE PUMPS	Fluid		Water
2	Number of pumps / Reserve		1 / 0	Liquid temperature	°C	20
3	Flow	m³/h		Kin. viscosity	St	0.01005
4	Head	m		Vapour pressure	kPa	2.34
5	Geodetic head	m		PH value		
6	Inlet pressure (pin)	kPa	0	Density	kg/m³	998.3
7	Available system NPSH			Solids	Weight %	0
8	Ambient temperature	°C	20			

Pump

9	Pump Name		RIGHT 75 M	Frequency	Hz	50
10	Design		SUBMERSIBLE SEWAGE PUMPS	Installation type		STANDARD
11	Manufacturer		EBARA	Impeller Diameter	Max. mm	100
12	Speed	1/min	2875		Designed mm	100
13	No. of Stage		1		Min. mm	100
14	Connection	Suction side	UNI ISO 228	Flow	Operating m³/h	
15	Connection	Discharge side	UNI ISO 228		Max- m³/h	14.4
16	Max Working Pressure	kPa			Min- m³/h	2.4
17	Shut-off head	kPa	86.19	Head	Operating m	
18	Total weight	kg	See the table of "Dimensions".		- (Qmax.) m	2.0
19	Shaft power	kW			- (Qmin.) m	7.8
20				Max. Shaft Power at max. impeller	kW	
21	Required pump NPSH	m		Efficiency	%	

Materials

22	Impeller		AISI 304			
23	Casing		AISI 304			
24	Shaft		AISI 303 (wet extension)			
25						
26						
27						

Motor

28	Manufacturer		EPE Standard	Insulation class		F
29	Type		RIGHT 75 M_230_Single Phase	Phases		1~
30	Specific design		Submersible dry type / 50 Hz / Pole pairs 1	Frame size		
31	Rated power	kW	0.55	Weight	kg	
32	Number of poles		2	Electric voltage	V	230
33	Speed	1/min	2875	Electric current	A	4.8
34	Degree of protection		IP X8			
35						

Remarks

--

Performance Curve

Pump Name

RIGHT 75 M

Customer	Date 2024-03-22	Company
Contact	Item no.	Issued by
Phone	Project	Phone
E-mail	Project ID	E-mail

Requested data

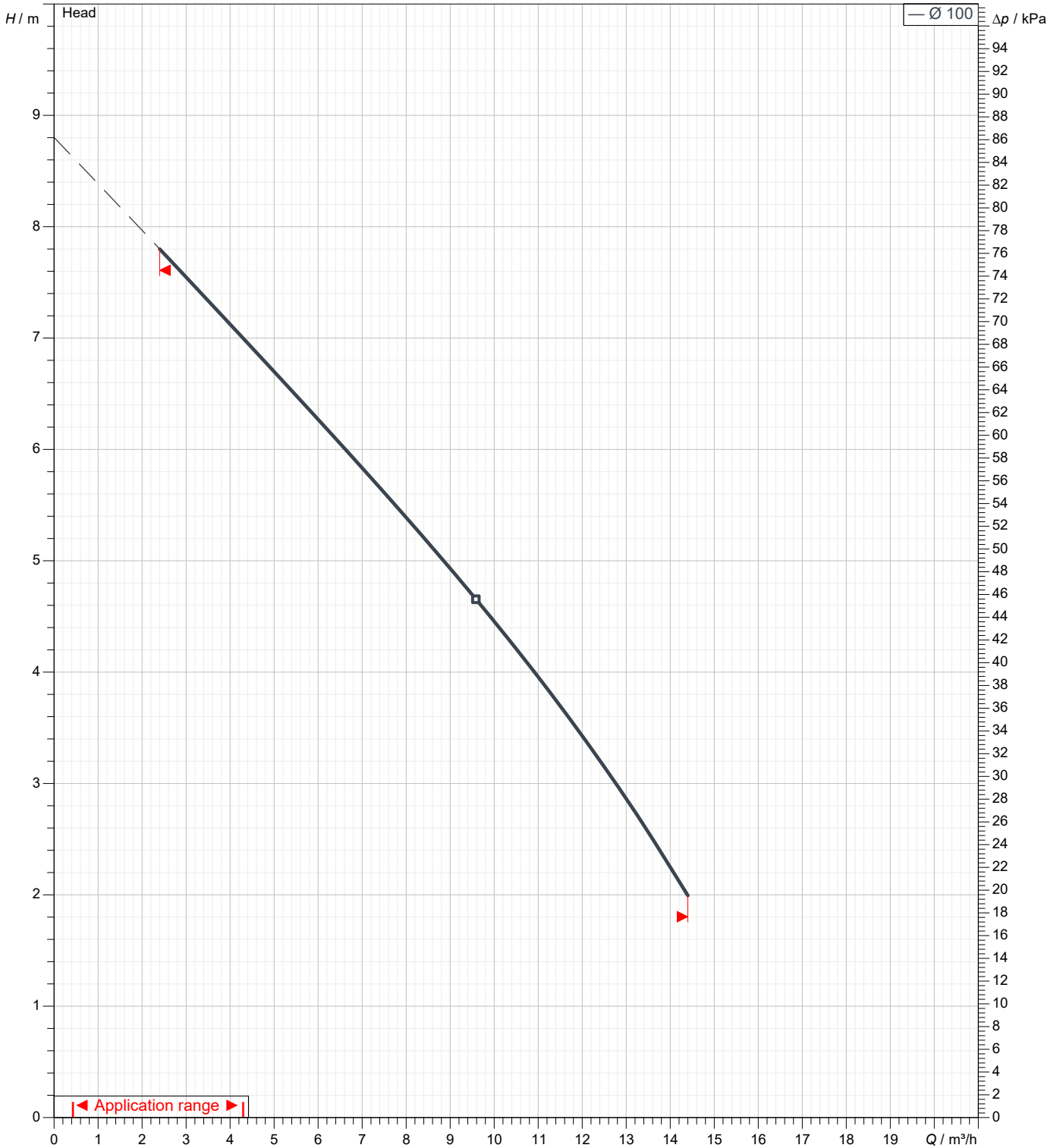
1	Flow	m³/h	
2	Head	m	
3	Geodetic head	m	

Pump

Operating flow	m³/h	Frequency	Hz	50
Operating head	m	Number of poles	2	
Impeller diameter designed	mm	100	Speed	1/min 2875

Test standard: ISO 9906:2012 - Grade3B

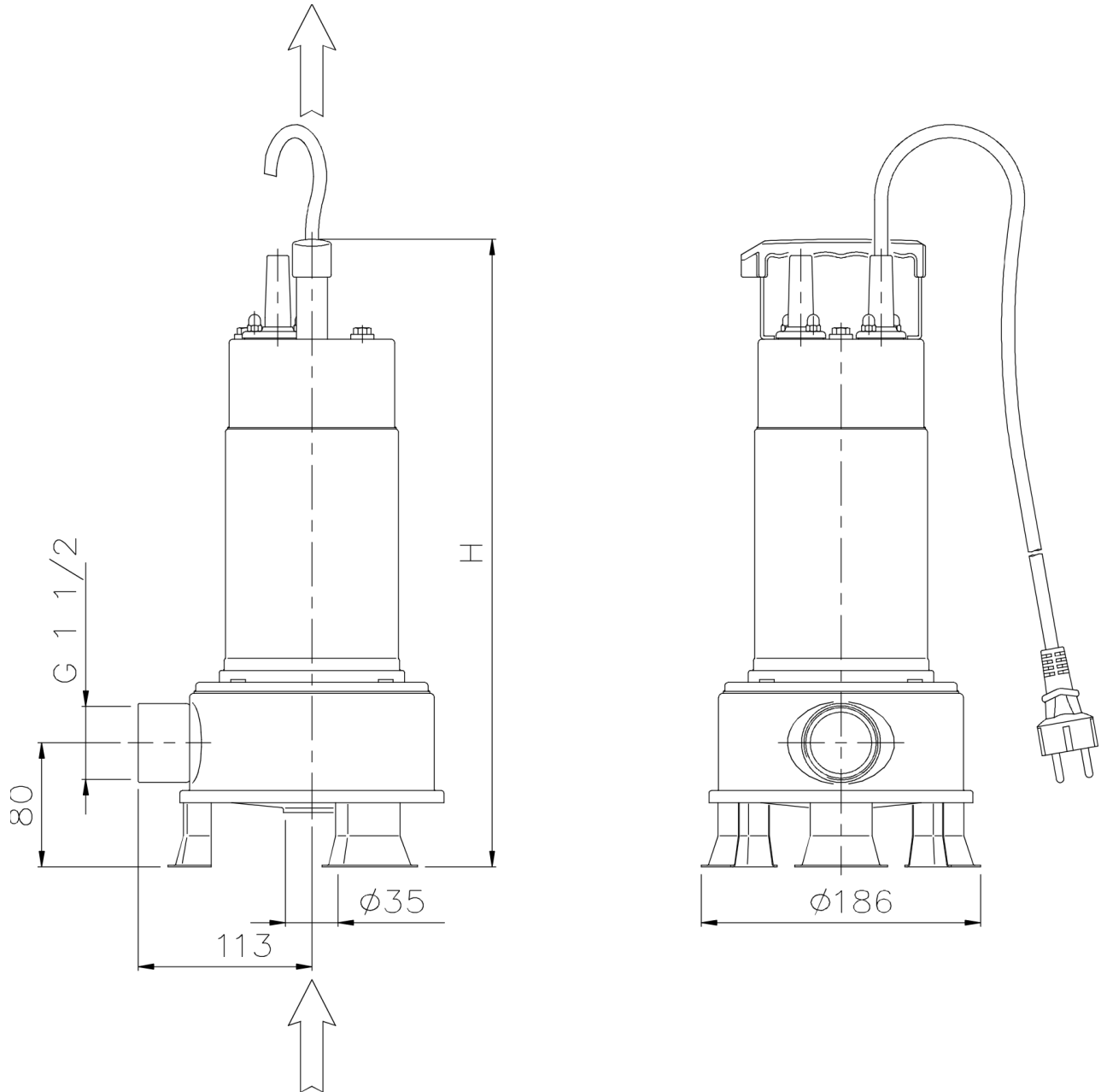
Water; 20°C; 998.3kg/m³; 0.01005St



Dimensions

Pump Name RIGHT 75 M

Customer	Date 2024-03-22	Company
Contact	Item no.	Issued by
Phone	Project	Phone
E-mail	Project ID	E-mail



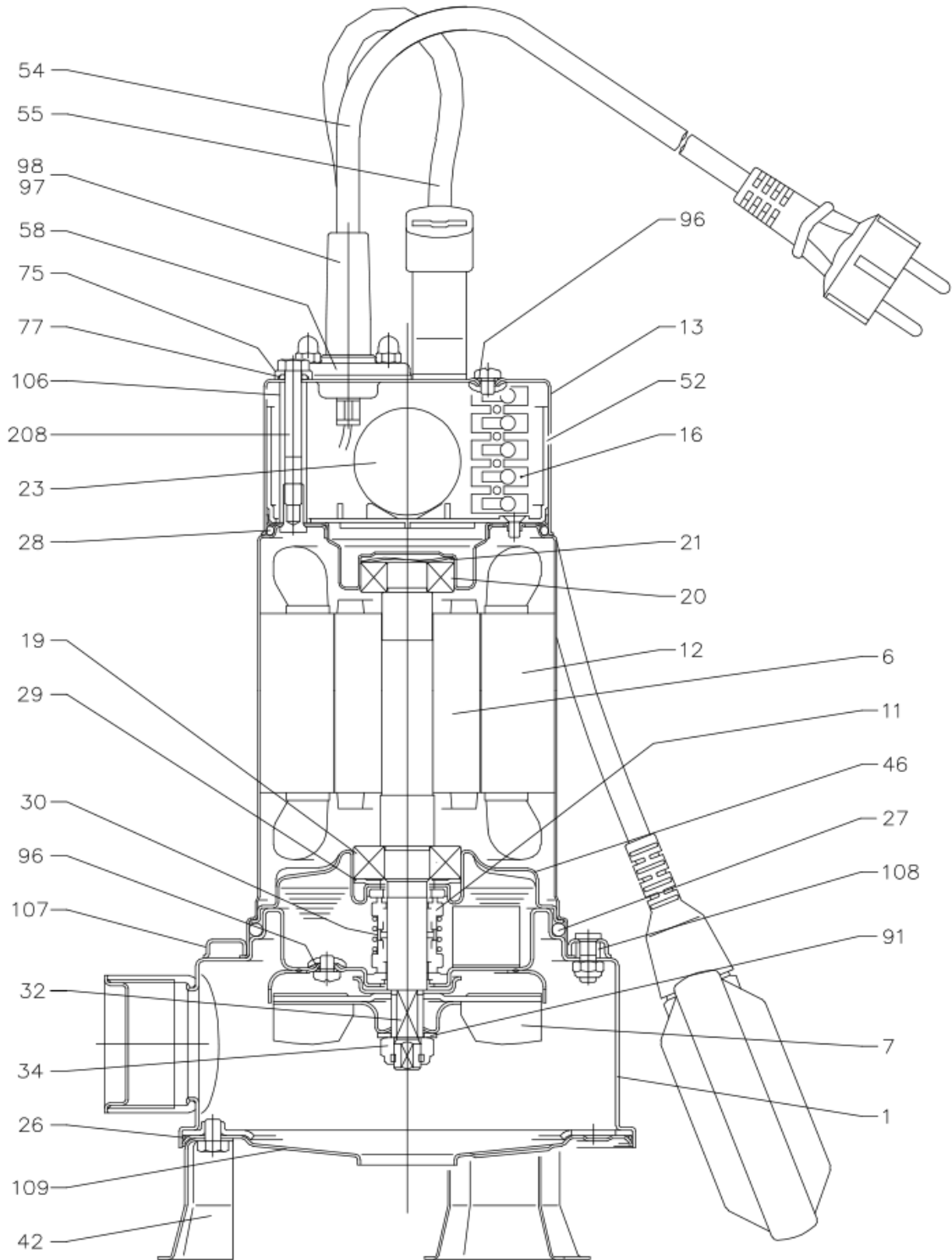
Dimensions in mm								
1	H	405						
2	Weight PUMP	10 kg						
3								
4								
5								
6								
7								
8								
9								
10								
11								
12								
13								
14								
15								

(1/3)

Construction

Pump Name RIGHT 75 M

Customer	Date 2024-03-22	Company
Contact	Item no.	Issued by
Phone	Project	Phone
E-mail	Project ID	E-mail

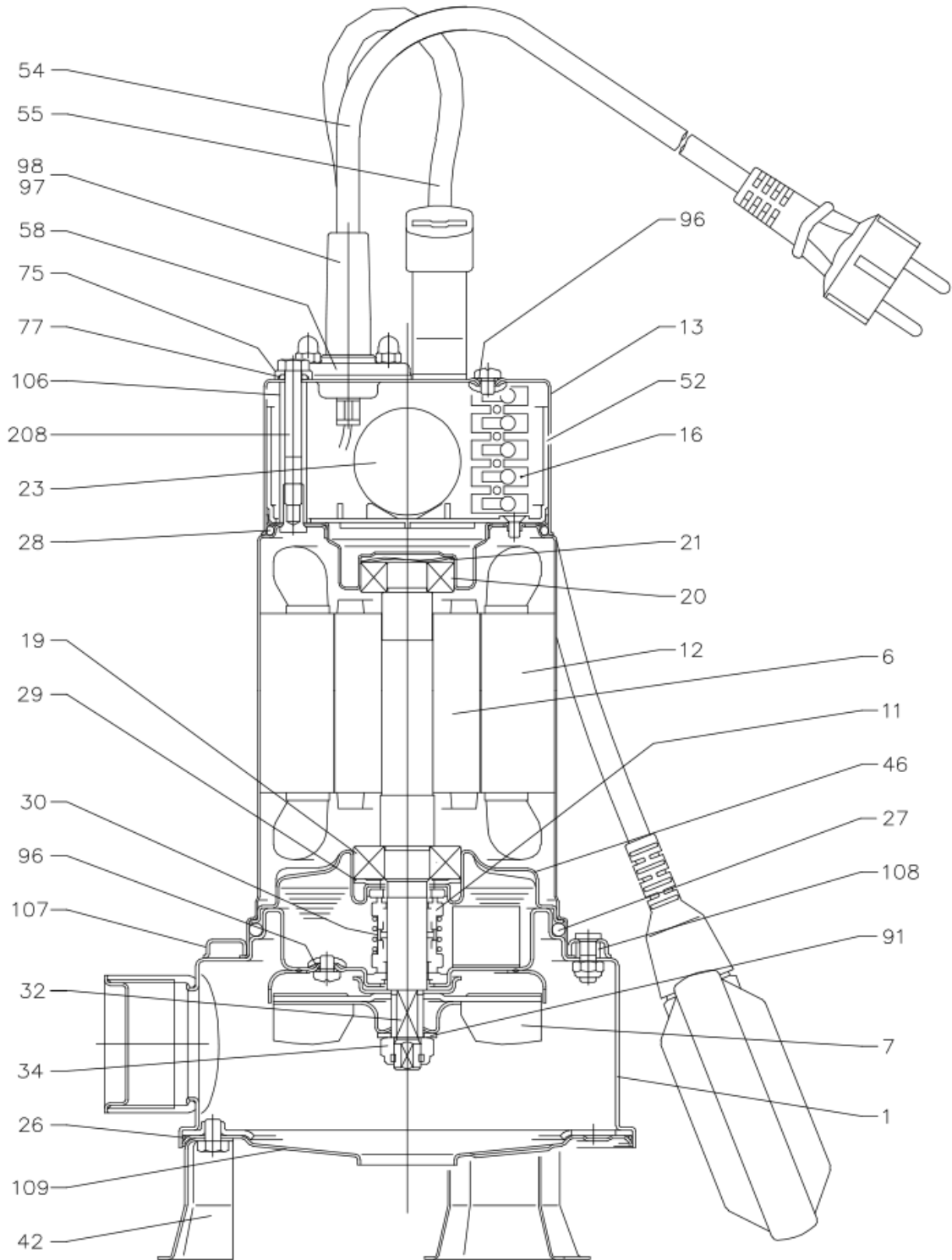


(1/3)

Construction

Pump Name RIGHT 75 M

Customer	Date 2024-03-22	Company
Contact	Item no.	Issued by
Phone	Project	Phone
E-mail	Project ID	E-mail

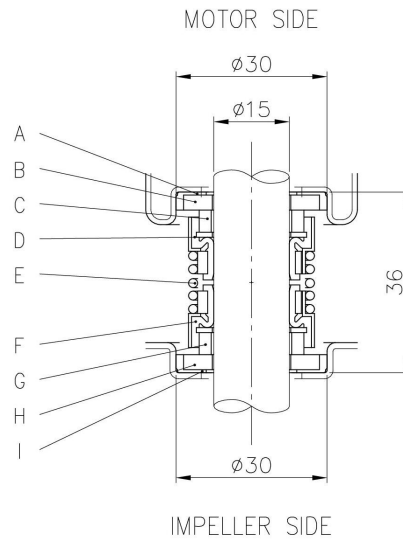


(3/3)

Construction

Pump Name RIGHT 75 M

Customer	Date 2024-03-22	Company
Contact	Item no.	Issued by
Phone	Project	Phone
E-mail	Project ID	E-mail



REF	PART NAME	MATERIAL
A	Rubber cup	NBR
B	Seat	Ceramic
C	Seal face	Carbon
D	Bellow	NBR
E	Spring	AISI 304
F	Bellow	NBR
G	Seal face	Silicon carbide
H	Seat	Silicon carbide
I	Rubber cup	NBR