



ISO 5211 Direct Mounted BALL VALVES

ONE PIECE REDUCED PORT

V-83HP

ONE PIECE BALL VALVE

V-83HP
800 psi (PN40) • 1/4" - 2"



- 01 Threaded End
- 02 Blow-out-proof Stem Design
- 03 Temperature Range : -4 to 356 °F (-20 to 180 °C)
- 04 BODY : ASTM A351 Gr.CF8M (1.4408)
- 05 BALL : SS316 / CF8M
- 06 STEM : SS316
- 07 SEAT : PTFE

TWO PIECES FULL PORT

V-168

TWO PIECES BALL VALVE

V-168
1000 psi (PN63) • 1/4" - 2"



- 01 Threaded End
- 02 Blow-out-proof Stem Design
- 03 Temperature Range : -4 to 356 °F (-20 to 180 °C)
- 04 BODY : ASTM A351 Gr.CF8M (1.4408)
- 05 BALL : CF8M
- 06 STEM : SS316
- 07 SEAT : PTFE / RTFE

THREE PIECES BALL VALVES

V-158 SERIES

THREE PIECES BALL VALVE

- Full Bore • Blow-out proof stem • Anti-static design • Direct mounting type • Locking device handle
- Temperature Range : -4 to 356 °F (-20 to 180 °C)
- BODY **CF8M** • BALL **CF8M** • STEM **SS316** • SEAT **RTFE**
- Working Pressure 1/4" – 2" 1000psi (PN63) 2-1/2" – 4" 800psi (PN40)

 V-158 Threaded • Socket Weld • Butt Weld end 3A Tube end • Tri-Clamp end Option - Face to Face : DIN3202 M3/S13	 V-158F Face to Face : EN558-1 F1 Flanged end PN40 / 16 RF Size : 1/2" – 4"	 V-158W Extended Butt Weld end Size : 1/2" – 4"
--	---	--

V-355



Design Feature

- Blow-out proof stem,
- Anti-static design
- Direct mounting type
- End connection : Thread end, Socket weld, Butt weld end
- Handle with locking device

Full Port • 1/4" – 4" (DN8 - DN100)
 Reduced Port • 1/2" – 4" (DN15 - DN100)

Body	ASTM A351 Gr. CF8M (1.4408)
Ball / Stem	CF8M / SS316
Seat	RTFE
Working Pressure	1/4"- 1" 2000psi (PN 140)
	1-1/4" – 2" 1500 psi (PN 100)
	2-1/2" – 4" 1000 psi (PN 63)

V-FLOW BALL VALVES

VF-28



Design Feature

- 1/2" – 6" (DN15 - DN150)
- ISO 5211 Direct Mounting Flange
- Blow-out proof stem
- Anti-static design
- Face to Face : DIN 3202 F1/F4/F5
ANSI B16.10 CLASS 150/300/600
JIS 2002
- Flange dia. :
EN1092-1 PN 1016/25/40 RF
ANSI B16.5 CLASS 150/300/600 RF
JIS 2010 10K/20K

Body	ASTM A351 Gr.CF8M (1.4408)
Ball / Stem	CF8M / SS316
Seat	50%PTFE + 50%S.S

VF-158



Design Feature

- 1/4" – 4" (DN8 - DN100)
- Blow-out proof stem
- Anti-static design
- Direct Mounting Type
- Handle with locking device

Body	ASTM A351 Gr.CF8M (1.4408)
Ball / Stem	CF8M / SS316
Seat	50%PTFE + 50%S.S.
Working Pressure	1/2" – 2" 1000 psi (PN63) 2-1/2" – 4" 800 psi (PN40)
End Connections	Threaded end / Socket weld end Butt weld end / Flange PN 16/40 RF

VF-355

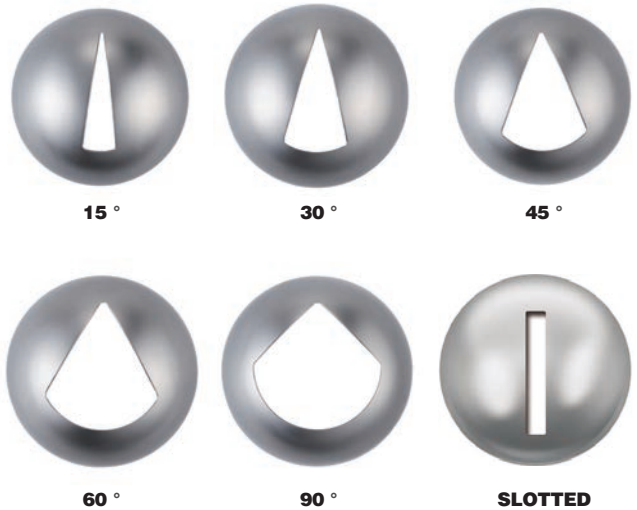


Design Feature

- 1/4" – 4" (DN8 - DN100)
- Blow-out proof stem
- Anti-static design
- Direct Mounting Type
- Handle with locking device

Body	ASTM A351 Gr.CF8M (1.4408)
Ball / Stem	CF8M / SS316
Seat	50%PTFE + 50%S.S
End Connections	Threaded / Butt weld / Socket weld end
Working Pressure	1/4" – 1" 2000 psi (PN140) 1-1/4" – 2" 1500 psi (PN100) 2-1/2" – 4" 1000 psi (PN 63)

BALL PORT





HIGH PRESSURE BALL VALVES

Other materials are available upon request

HPV-84



Design Feature

- 1/2" - 1-1/2" Full Bore
- 2" Reduced Bore
- 2 Pieces
- Blow-out proof stem
- ISO 5211 Direct mounting flange
- Handle with locking device
- End connection : Threaded end

Body	ASTM A351 Gr.CF8M
Ball / Stem	CF8M / SS316
Seat	Derlin / Peek
Temperature Range	-4 to 176 °F (-20 to 80 °C) for Derlin
	-4 to 500 °F (-20 to 260 °C) for Peek
Working pressure	3000 psi (PN210)



CAST CF3M

With Ferrite content less than 3% sulfur content 0.005-0.017%

MD-928EB / TC



Design Feature

- Tube Bore
- 1/2" – 4" (DN15 - DN100)
- Design per ANSI B16.34 / BPE
- Blow-out proof stem
- Direct mounting
- End connections : Clamp end BPE / ISO / DIN Ext. Tube end
- Option : Cavity seat, Extended stem Pource port

Body	ASTM A351 Gr.CF3M
Ball / Stem	ASTM A351 Gr.CF3M / SS316L
Seat	TFM1600
Temperature Range	-40 to 356 °F (-40 to 180 °C)
Working Pressure	1000 psi for 1/2" - 2"
	720 psi for 2-1/2" - 4"

K-384EB / TC



Design Feature

- Tube Bore, L / T port
- 1/2" – 3" (DN15 - DN80)
- Design per ANSI B16.34 / BPE
- Blow-out proof stem
- Direct mounting
- End connections : Clamp end/ BPE / ISO / DIN Ext. Tube end

Body	ASTM A351 Gr.CF3M
Ball / Stem	ASTM A351 Gr.CF3M / SS316L
Seat	TFM1600
Temperature Range	-40 to 356 °F (-40 to 180 °C)
Working Pressure	1000 psi for 1/2" - 1"
	720 psi for 1-1/2" - 3"



MULTI WAY BALL VALVES

K-318 3 Way L / T port



Design Feature

- Standard Bore
- 1/4" – 2" (DN8 - DN50)
- Blow-out proof stem
- 3 seats design
- ISO 5211 direct mounting to actuator

Body	ASTM A351 Gr.CF8M (1.4408)
Ball / Stem	CF8M / SS316
Seat	RTFE
End Connection	Threaded end
Temperature Range	-4 to 356 °F (-20 to 180 °C)
Working Pressure	1/4" – 2" 1000 psi (PN 63)

K-338 3 Way L / T port



Design Feature

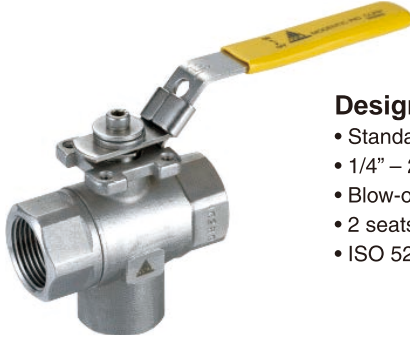
- Full Bore
- 1/4" – 2" (DN8 - DN50)
- Blow-out proof stem
- 3 seats design
- ISO 5211 direct mounting to actuator

Body	ASTM A351 Gr.CF8M (1.4408)
Ball / Stem	CF8M / SS316
Seat	PTFE
End Connection	Threaded end
Temperature Range	-4 to 356 °F (-20 to 180 °C)
Working Pressure	1/4" – 2" 1000 psi (PN 63)



MULTI WAY BALL VALVES

K-306 3 Way L / T port



Design Feature

- Standard Bore
- 1/4" – 2" (DN8 - DN50)
- Blow-out proof stem
- 2 seats design
- ISO 5211 mounting flange

Body	ASTM A351 Gr.CF8M (1.4408)
Ball / Stem	CF8M / SS316
Seat	PTFE
End Connection	Threaded end
Temperature Range	-4 to 356 °F (-20 to 180 °C)
Working Pressure	1/4" – 2" 1000 psi (PN 63)

K-314 3 Way L / T port

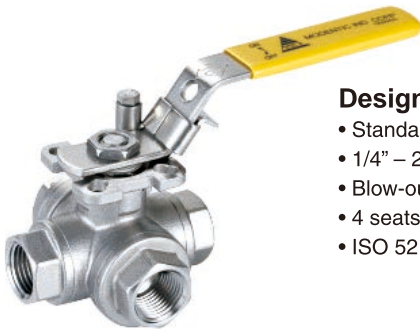


Design Feature

- Full Bore
- 1/2" – 3" (DN8 - DN80)
- Blow-out proof stem
- 4 seats design
- ISO 5211 direct mounting to actuator

Body	ASTM A351 Gr.CF8M (1.4408)
Ball / Stem	CF8M / SS316
Seat	RTFE
End Connection	Threaded end / Butt welding / Socket welding
Temperature Range	-4 to 356 °F (-20 to 180 °C)
Working Pressure	1/2" – 3" 1000 psi (PN 63)

K-434 4 Way L / T / X port



Design Feature

- Standard Bore
- 1/4" – 2" (DN8 - DN50)
- Blow-out proof stem
- 4 seats design
- ISO 5211 mounting flange

Body	ASTM A351 Gr.CF8M (1.4408)
Ball / Stem	CF8M / SS316
Seat	PTFE
End Connection	Threaded end
Temperature Range	-4 to 356 °F (-20 to 180 °C)
Working Pressure	1/4" – 2" 1000 psi (PN 63)

K-435 4 Way L / T / X port



Design Feature

- Full Bore
- 1/4" – 1-1/2" (DN8 - DN40)
- Blow-out proof stem
- 4 seats design
- ISO 5211 direct mounting to actuator

Body	ASTM A351 Gr.CF8M (1.4408)
Ball / Stem	CF8M / SS316
Seat	RTFE
End Connection	Threaded end / Butt welding / Socket welding
Temperature Range	-4 to 356 °F (-20 to 180 °C)
Working Pressure	1/4" – 1-1/2" 1000 psi (PN 63)

K-315 4 Way L / T / X port



Design Feature

- Full Bore
- 1/2" – 3" (DN15 - DN80)
- Blow-out proof stem
- 4 seats design
- ISO 5211 direct mounting to actuator

Body	ASTM A351 Gr.CF8M (1.4408)
Ball / Stem	CF8M / SS316
Seat	RTFE
End Connection	Threaded end / Butt welding / Socket welding
Temperature Range	-4 to 356 °F (-20 to 180 °C)
Working Pressure	1/4" – 3" 1000 psi (PN 63)

K-316 5 Way LL / LT / TL port



Design Feature

- Full Bore
- 1/4" – 4" (DN8 - DN100)
- Blow-out proof stem
- 5 seats design
- ISO 5211 direct mounting to actuator

Body	ASTM A351 Gr.CF8M (1.4408)
Ball / Stem	CF8M / SS316
Seat	RTFE
End Connection	Threaded end / Butt welding / Socket welding
Temperature Range	-4 to 356 °F (-20 to 180 °C)
Working Pressure	1/4" – 4" 1000 psi (PN 63)

SANITARY BALL VALVES

V-Z58EB / TC

ISO 5211 direct mounting



Option : Cavity filler seat

Design Feature

- Tube Bore
- 1/2" – 4" (DN15 - DN100)
- Blow-out proof stem
- End connection :
Clamp end, 3A Tube end
DIN 11850 Tube end

Body	ASTM A351 Gr.CF8M
Ball / Stem	CF8M / SS 316
Seat	TFM1600
Temperature Range	-4 to 356 °F (-20 to 180 °C)
Working pressure	1000 psi (PN 63) 1/2" – 2" 800 psi (PN 40) 2"-1/2" – 4"

K-338TC



Design Feature

- Tube Bore, 3 way L / T port
- 1/2" – 2" (DN15 - DN50)
- Blow-out proof stem
- Direct mounting type
- End connection : Clamp end
- Option : Cavity filler seat

Body	ASTM A351 Gr.CF8M
Ball / Stem	CF8M / SS316
Seat	PTFE
Temperature Range	-4 to 356 °F (-20 to 180 °C)
Working pressure	720 psi (PN 40)

K-434TC



Design Feature

- Tube Bore, 4 way L / T port
- 1/2" – 2" (DN15 - DN50)
- Blow-out proof stem
- ISO 5211 direct mounting
- End connection :
Clamp end
- Option : Cavity filler seat

Body	ASTM A351 Gr.CF8M
Ball / Stem	CF8M / SS316
Seat	PTFE
Temperature Range	-4 to 356 °F (-20 to 180 °C)
Working pressure	720 psi (PN 40)

K-Z04EB / TC



Design Feature

- Tube Bore, 3/4 way L / T port
- 1/2" – 4" (DN15 - DN100)
- Direct mounting type
- ISO 5211 mounting flange type
- End connection :
Clamp end, 3A Tube end
- Option : Cavity filler seat

Body	ASTM A351 Gr.CF8M
Ball / Stem	CF8M / SS316
Seat	PTFE
Temperature Range	-4 to 356 °F (-20 to 180 °C)
Working pressure	720 psi (PN 40)



TWO WAY BALL VALVES

MD-55



Design Feature

- Full Bore
- 1/2" – 6" (DN15 - DN150)
- Blow-out proof stem
- Anti-static design
- ISO 5211 Direct mounting
- ANSI B16.10 Class 150
DIN 3202 F4/F5
- ANSI B16.5 Class 150 RF
EN1092-1 PN16 RF

Body	ASTM A351 Gr.CF8M (1.4408)
Ball / Stem	CF8M / SS316
Seat	RTFE
Temperature Range	-4 to 356 °F (-20 to 180 °C)

MD-28

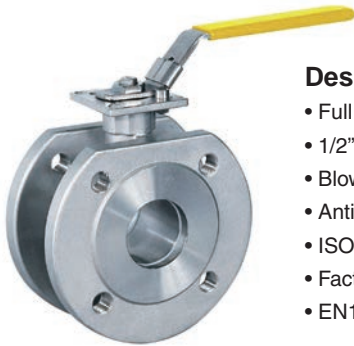


Design Feature

- Full Bore
- 1/2" – 6" (DN15 - DN150)
- Blow-out proof stem
- Anti-static design
- ISO 5211 Direct mounting
- ANSI B16.10 Class 150/300/600
DIN 3202 F1/F4/F5
JIS B2002
- ANSI B16.5 Class 150/300/600 RF
EN1092-1 PN10/16/25/40 RF
JIS 2010 10K/20K

Body	ASTM A351 Gr.CF8M (1.4408)
Ball / Stem	CF8M / SS316
Seat	RTFE
Temperature Range	-4 to 356 °F (-20 to 180 °C)

MD-57D



Design Feature

- Full Bore
- 1/2" – 4" (DN15- DN100)
- Blow-out proof stem
- Anti-static design
- ISO 5211 Direct mounting
- Fact To Face : MFG Standard
- EN1092-1 PN16 RF

Body	ASTM A351 Gr.CF8M (EN 1.4408)
Ball / Stem	CF8M / SS316
Seat	PTFE
Temperature Range	-4 to 356 °F (-20 to 180 °C)



MULTI WAY FLANGED BALL VALVES SIDE ENTRY

KF-314 • 3 WAYS • L / T PORT



Design Feature

- Full Bore
- 1/2" – 6" (DN15 - DN150)
- Split body , Floating type
- Blow-out proof stem
- Anti-static design
- ISO 5211 direct mounting for 1/2"-3"
ISO 5211 mounting flange for 4"-6"
- Fact To Face : MFG Standard
- ANSI B16.5 Class 150 RF
EN 1092-1 PN10/16/25/40 RF
JIS 2010 10K

Body	ASTM A351 Gr.CF8M (1.4408)
Ball / Stem	CF8M / SS316
Seat	RTFE
Temperature Range	-4 to 356 °F (-20 to 180 °C)

KF-315 • 4 WAYS • L/T/DOUBLE L PORT



Design Feature

- Full Bore
- 1/2" – 6" (DN15 - DN150)
- Split body , Floating type , Solid ball
- Blow-out proof stem
- Anti-static design
- ISO 5211 direct mounting for 1/2"-3"
ISO 5211 mounting flange for 4"-6"
- Fact To Face : MFG Standard
- ANSI B16.5 Class 150 RF
EN 1092-1 PN10/16/25/40 RF
JIS 2010 10K

Body	ASTM A351 Gr.CF8M (1.4408)
Ball / Stem	CF8M / SS316
Seat	RTFE
Temperature Range	-4 to 356 °F (-20 to 180 °C)