



'BH' Series BALL VALVES

BH

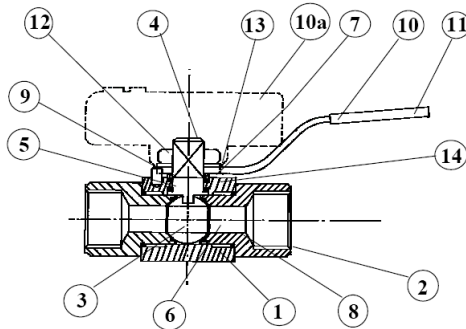
1,000 psi [Pn 68] Rated 6,000 psi [Pn 408] Rated

DESIGN FEATURES

- * Robust HIGH pressure design
- * Internally loaded blow-out proof stem
- * Floating ball for positive shut-off
- * LOW operating torque
- * Smooth 1/4 turn action
- * Flexible 3 piece design
- * 316 ss to NACE specification
- * Wide range of end connections
- * Replaceable seats & seals
- * Ease of maintenance
- * Full material traceability
- * Choice of lever or pointer handles
- * Panel mounting option
- * Can be easily actuated
- * Locking kit available



MATERIALS of CONSTRUCTION - 316 Stainless Steel



ITEM	COMPONENT	MATERIAL
1	BODY	316 S 11 *
2	END CONNECTORS	316 S 11 *
3	BALL	316 S 11 *
4	STEM	316 S 11 *
5	STEM SEAL	RTFE
6	SEATS	PTFE / PVDF
7	TOP SEAL	RTFE
8	BODY SEAL	PTFE
9	PIN	STAINLESS STEEL
10	LEVER HANDLE	STAINLESS STEEL
10	POINTER HANDLE	MAZAK 3
11	HANDLE SLEEVE	PVC
12	NUT	A4 ss
13	WASHER	A4 ss
14	SPACER	316 SS

Sample Part Number BHSP1015NFS-LK

1/2" NPT Female 316 St. Ball Valve, 10mm Bore - 6,000 psi/Pn 408 Rated fitted with Lever handle and Locking Kit.

VALVE PART NUMBER and ORDERING TABLE						
Valve Series	Bore	Size	Threads	* Material	Handle	Options
BHSA 1,000 psi/Pn 68	10	08 - 1/4"	NF - NPT Female	A - Ali-Bronze C - C/Steel D - 31803 Duplex H - Hasteloy I - Incoloy J - 6MO M - Monel S - 316 SS T - Titanium U - 32760 S.Duplex	-PH Pointer	-SR Spring Return -DA Double Acting -EA Electric -PM Panel Mount -Lk Locking -ACT Actuator use -EP Ends Pinned
		10 - 3/8"	NM - NPT Male			
		15 - 1/2"	PF - BSPP Female PM - BSPP Male TF - BSPT Female TM - BSPT Male			
* BHSP 6,000 psi/Pn408	13	20 - 3/4"			-TH StSt 'T' Handle	
		25 - 1"				
		32 - 1 1/4"				
		38 - 2"				

All Valves have Stainless Steel Lever Handles as standard.

* Note that valves above 1" are downrated i.e. 1 1/4" is 4,000psi, 1 1/2" & 2" are 3,000psi maximum.

Valve Part Number for FULL BORE - USE BORE size equal to thread size e.g. BHSA1925NFS becomes BHSA2525NFS.

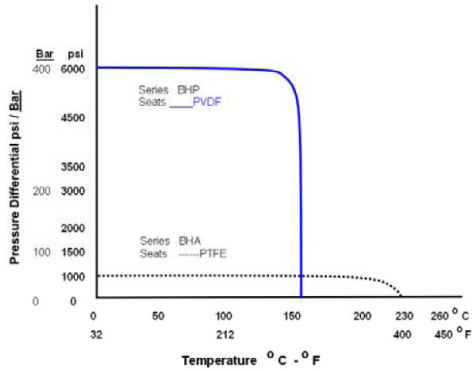
BHseries - 01/08



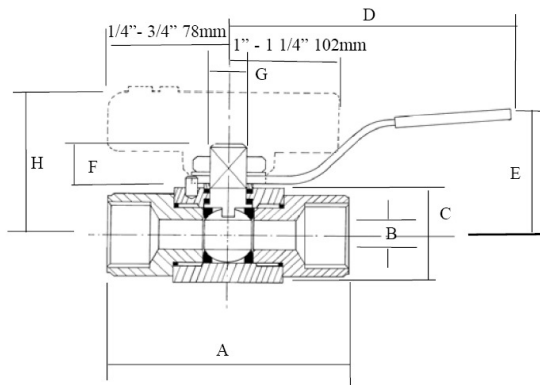
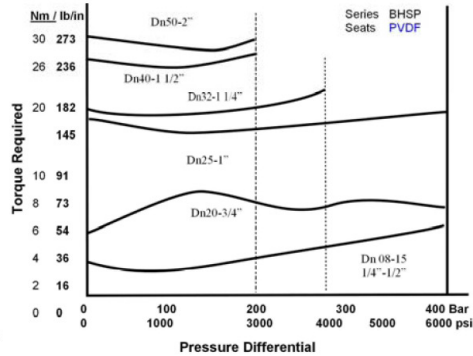
'BH' Series BALL VALVES

TECHNICAL SPECIFICATIONS SHEET

PRESSURE/TEMPERATURE GRAPH

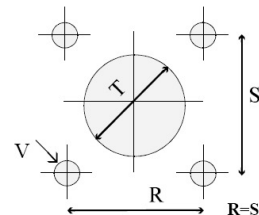


TORQUE INFORMATION



PANEL MOUNT DETAILS *

* Option to be specified when ordering



1/4" - 1/2" VALVES ARE M4 x 6 mm DEEP
3/4" VALVES ARE M5 x 6 mm DEEP
1" - 1 1/4" VALVES ARE M6 x 8 mm DEEP
1 1/2" - 2" VALVES ARE M8 x 8 mm DEEP

Valve Size	VALVE SIZES and DIMENSION TABLE [Inch Dims rounded for clarity]										WEIGHT Kgs	CV US Gpm			
	A		B ϕ	C Sq	D	E	F	G ϕ x A/F	H	Panel Mount Dimensions					
	BSPP	TAPER								R & S			ISO	T ϕ	V ϕ
08 - 1/4"	71	71	10	32	115	45	16	3/8"-7.0	49	25.5	N/A	30	4.5	0.45	7.5
10 - 3/8"	75	77	10	32	115	45	16	3/8"-7.0	49	25.5	N/A	30	4.5	0.46	7.5
15 - 1/2"	82	85	10	32	115	45	16	3/8"-7.0	49	25.5	N/A	30	4.5	0.50	7.5
20 - 3/4"	90	90	12.7	38	115	50	15	3/8"-7.0	52	25.5	F03	30	5.5	0.70	12.0
25 - 1"	109	111	20	50	165	60	27	12 x 9.0		35.4	F05	40	6.5	1.45	32.0
32-1 1/4"	117	121	25	63/60 ϕ	165	65	24	12 x 9.0		35.4	F05	44	6.5	1.75	46.0
40-1 1/2"	135	135	32	70 ϕ	165	70	26	16x11.0		49.5	F07	44	8.5	3.0	80.0
50 - 2"	160	160	38	82 ϕ	165	76	27	3/4"x14		49.5	F07		8.5	3.5	105.0

We reserve the right to change specifications stated in this leaflet due to our continuing programme of development. BHseries-01.08
For FULL BORE Valves, use the dimensions of the next larger size, ie for 1.1/4" Full Bore use 1.1/2" dimensions.
Valve seats are tested at 10% above rated pressure [BS EN12266-1]. Using any higher test pressure will damage the seats.
Use the valve half open on system tests above seat rated pressures. 1.1/2" and 2" valves are of 2 piece construction.
Dimensions are the same for all pressure rating ie BHSA and BHSP Series.