

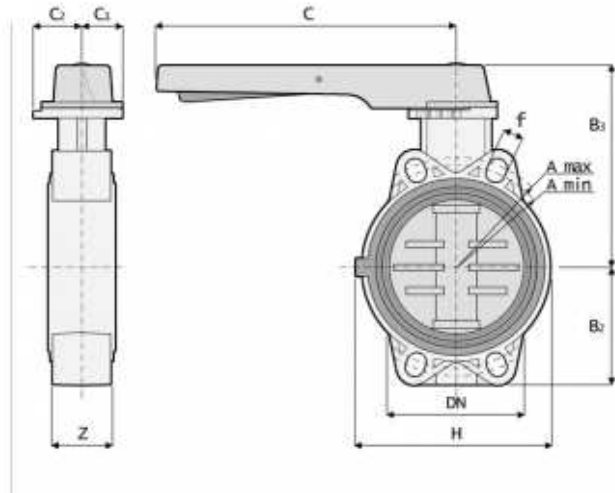


PVC vlinderkleppen

Grey PVC butterfly valve for water supply systems, true union. EPDM seals, galvanised steel stem.

Flange type coupling with collars and flanges. Range available from D 50 (DN 40) up to D 315 (DN 300). Diameters D 280-315 provide of gear box as standard.

Pressure rating and operating torque, see page 22.

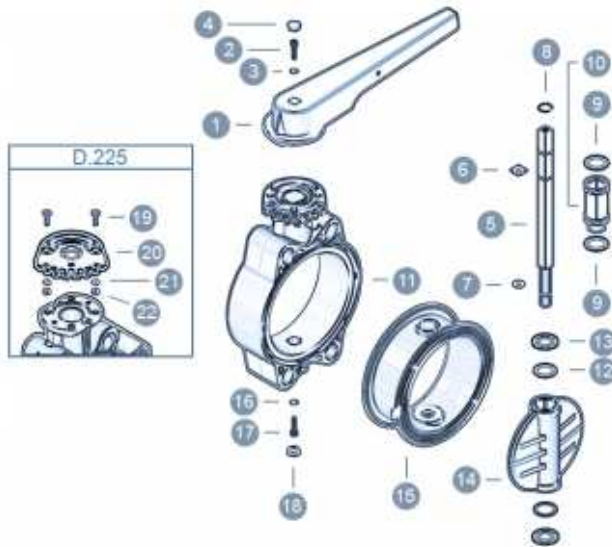


DIMENSIONS

D	DN	B2	B3	C	C1	C2	H	Z	A min	A max	F	g	n° holes	Ref.	Box
50	40	60	136	175	45	42	132	33	93	109	19	827	4	1V.800.500.00W	5
63	50	70	143	175	45	42	147	43	108	124	19	1012	4	1V.800.630.W	5
75	65	80	168	175	45	45	165	46	128	144	19	1420	4	1V.800.750.00W	5
90	80	90	182	250	45	45	130	49	145	159	19	1640	4	1V.800.900.00W	5
110	100	105	196	250	45	45	150	56	165	190	19	1990	4	1V.800.110.00W	5
140	125	121	215	335	45	45	185	64	204	215	23	3030	4	1V.800.150.00W	5
160	150	132	229	335	45	45	210	70	230	242	23	3730	4	1V.800.170.00W	5
225	200	161	309	425	65	82	325	71	280	298	23	8240	8	1V.800.230.00	2



COMPONENTS



Pos.	Components	Material	N
1	handle	PVC	1
2	screw	stainless steel	1
3	washer	stainless steel	1
4	protection cap	PE	1
5	shaft	zinc plated steel	1
6	shaft gasket	EPDM	1
7	shaft O-ring	EPDM	1
8	seeger ring	stainless steel	1
9	bush O-ring	EPDM	2
10	bush	nylon	1
11	body	PVC	1
12	disc O-ring	EPDM	2
13	anti-friction ring	PTFE	2
14	disc	PVC	1
15	gasket	EPDM	1
16	washer	stainless steel	1
17	screw	stainless steel	1
18	protection cap	PE	1
19	screw	stainless steel	2
20	pad	PVC	1
21	washer	stainless steel	2
22	nut	stainless steel	2