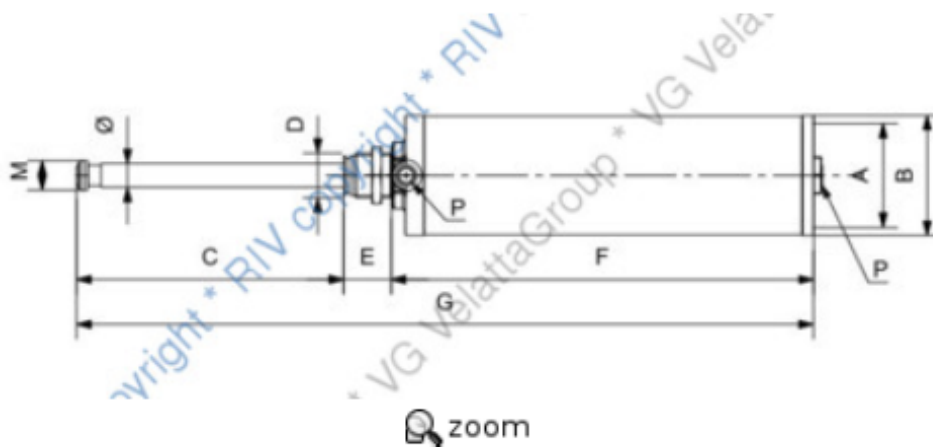




Tech drawings and tables



DN	Code	Ø	F	A	B	C	D	E	G	M	P	KG	P/box
4"	050160000016	16	233	70	81	124	M30x2	32	389	20	1/4"	4,275	1
5"	050160000018	16	264	70	81	155	M30x2	32	451	20	1/4"	4,656	1
6"	050160000019	16	289	70	81	180	M30x2	32	501	20	1/4"	4,944	1
8"	050160000020	16	330	70	81	238	M35x2	32	599	23	1/4"	5,526	1