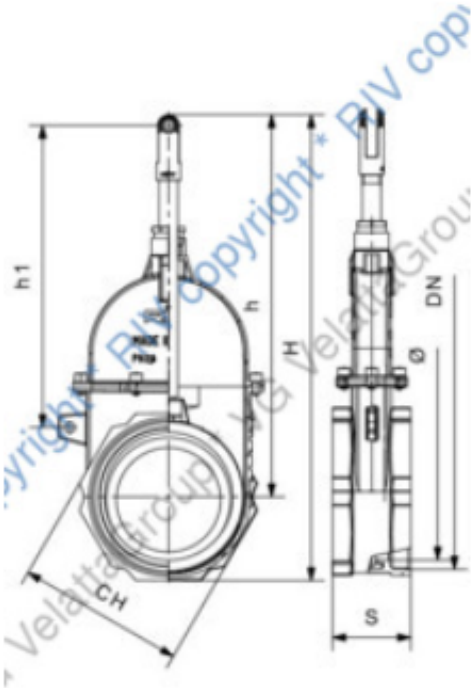




## Tech drawings and tables ▼



zoom

DN	Code	Ø	H	h	S	CH	h1	PN	KG	P/box
4"	050060000016	91	360	287	68	124	235	3bar - 45psi	3,781	1
5"	050060000018	120	440	352	78	152	295	3bar - 45psi	5,944	1
6"	050060000019	144	492	390	82	177	320	2,5bar - 37psi	7,324	1