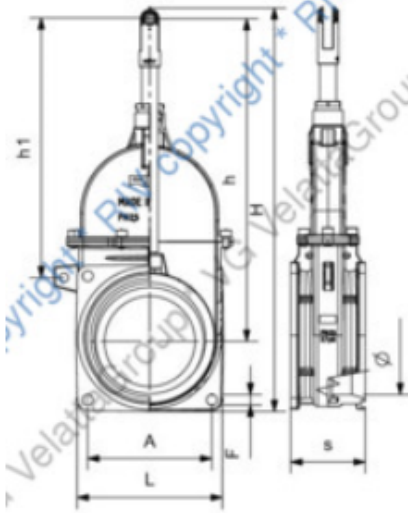




Tech drawings and tables ▾



zoom

DN	Code	Ø	H	h	S	L	F	A	h1	PN	KG	P/box
4"	050010000016	91	385	290	97	180	13	150	235	3bar - 45psi	5,974	1
5"	050010000018	120	450	350	90	180	13	150	295	3bar - 45psi	7,664	1
6"	050010000019	143	490	390	90	180	13	150	320	2,5bar - 37psi	8,199	1
8"	050010000020	191	610	485	111	230	13	180	385	1,5bar - 21psi	17,510	1